

BBVA COMPASS ONLINE BANKING USER GUIDE

FAQs about BBVA COMPASS ONLINE BANKING USER GUIDE

What happened to BBVA Compass bank? On June 1, 2021 the company was acquired by PNC Financial Services.

How do I check my BBVA balance? You may call 1-866-416-5689 to check your current balance and transactions.

How do I access my online banking account? Go to your bank's website. Whenever you want to access your account, all you have to do is open your web browser and visit your bank's website. After the page loads, look for the tab or button that says "online banking." Click the link that says "online banking" or "login" to access your account.

How can I get my BBVA statement? You can now access all your banking documentation, stored and classified in your personal area, which will allow you to find any communications from the last five years instantly and at all times. All you need to do is: Go to "My inbox". Select the option "Virtual mail".

Can I still use my BBVA account? BBVA checking account holders should have received information about the transfer to a new PNC account. Even after Oct. 12, they can keep using their BBVA checks until they run out. Customers who haven't activated their PNC debit cards can continue to use their BBVA debit cards through Jan.

What is the new name for BBVA Compass? BBVA Compass Bancshares Inc. initiated its new brand strategy, in which the company changed its name and will replace tens of thousands of physical and digital logos with its new logo. The company amended its original certificate of formation to change its name to BBVA USA Bancshares Inc., effective June 10.

How can I check my account balance without going to the bank? Online banking allows you to access your bank account from any computer or device with internet access. To check your account balance, log in to your bank's online banking website using your username and password. Once you're logged in, navigate to the account balance section.

Can I check my account balance from my phone? You have several ways to check your bank account balance, including logging in to the bank's website, using the bank's mobile app, visiting an ATM and calling the bank.

Can I check my bank balance over the phone? You can check your account balance using mobile banking, online banking, telephone banking, calling your bank, or stopping into your bank.

Can someone check my bank account balance with my account number? Most banks no longer allow others to check or know your bank account balance. However, some banks provide the account balance details when people simply call and request it. For instance, anyone knowing your account information can call the bank to verify the fund on a cheque.

How do I activate my online banking?

How do I know if my online banking is active?

Is the BBVA Compass now PNC? The simultaneous conversion of BBVA USA customers and employees to PNC's network and platforms was completed, and BBVA USA branches in Texas, Alabama, Arizona, California, Florida, Colorado and New Mexico reopened October 12, as PNC Bank locations.

What happened to my BBVA account? If you were a BBVA customer, you were recently acquired by PNC. Yep, you were acquired, though you may not want to keep your money with your new bank.

How do I find my BBVA account number?

Is BBVA a bank in the USA? BBVA will continue operating in the U.S. through its broker-dealer BBVA Securities and the New York branch – from which it will provide wholesale banking services –, as well as the fintech investment fund Propel Venture Partners.

What bank took over BBVA? An acquisition which significantly accelerates its national expansion strategy, PNC Financial Services Group, Inc. has acquired the US subsidiary of Spanish financial group Banco Bilbao Vizcaya Argentaria, S.A. (BBVA) in a deal valued at \$11.6bn.

Why are BBVA banks closed? It was purchased by BBVA in 2014. BBVA said in January that it would be shutting down Simple later in 2021. The decision came from the company “reassessing its goals” as part of a planned sale to PNC Bank, which reached an agreement to acquire BBVA's US operations in November 2020.

Who owns BBVA Compass?

What is the legal name for BBVA Compass? Legal Name: BBVA COMPASS BANCSHARES, INC. A five or six-digit North American Industry Classification System (NAICS) Code value that best describes the primary activity conducted by an entity.

How do I transfer money from BBVA to another bank?

How do I check how much money I have in my bank account? Log In Online You can check your account balance online anytime—and much more. To get started, navigate to your bank's website and access your account information. You can also use a mobile app, as described below.

How to check account balance using phone?

Can someone check my bank balance? No, nobody can see or access your Bank account.

What happened to my BBVA account? If you were a BBVA customer, you were recently acquired by PNC. Yep, you were acquired, though you may not want to keep your money with your new bank.

Why are BBVA banks closed? It was purchased by BBVA in 2014. BBVA said in January that it would be shutting down Simple later in 2021. The decision came from the company “reassessing its goals” as part of a planned sale to PNC Bank, which reached an agreement to acquire BBVA's US operations in November 2020.

Is BBVA Compass now a PNC Bank? The simultaneous conversion of BBVA USA customers and employees to PNC's network and platforms was completed, and BBVA USA branches in Texas, Alabama, Arizona, California, Florida, Colorado and New Mexico reopened October 12, as PNC Bank

locations.

Why did BBVA sell to PNC? “The deal enhances our already strong financial position. We will have ample flexibility to profitably deploy capital in our markets strengthening our long-term growth profile and supporting economies in the recovery phase, and to increase distributions to shareholders.”

Why has my account disappeared from my online banking? If your account was showing online but is now no longer visible it might mean there is an issue with your account. In this case you would need to contact telephone banking to discuss your account and once the issue has been resolved the account should be available again online.

What is the BBVA controversy? BBVA was placed under investigation in July 2019 for hiring a private investigation agency allegedly run by serving police commissioner Jose Manuel Villarejo. The case is part of a wider probe dating back to 2004 into Villarejo, who denies wrongdoing.

Will my BBVA account become PNC? We hope you found the information on this site helpful as we completed the transition of your accounts from BBVA USA to PNC. For additional assistance, please continue to use the full selection of product and customer service information available on pnc.com.

What bank is BBVA now? PITTSBURGH, June 1, 2021 /PRNewswire/ -- The PNC Financial Services Group, Inc. (NYSE: PNC) today announced the completion of its acquisition of BBVA USA Bancshares, Inc., including its U.S. banking subsidiary BBVA USA.

Who owns BBVA Compass?

Which country owns BBVA Bank? Banco Bilbao Vizcaya Argentaria, S.A. (Spanish pronunciation: [ˈbaˈko ˈiɫˈao ˈiˈkaˈa aˈxenˈtaˈja]), better known by its initialism BBVA, is a Spanish multinational financial services company based in Madrid and Bilbao, Spain.

How do I find my BBVA account number?

What is the phone number for BBVA Bancomer USA? For questions on accounts and to speak with a telephone banking agent, customers can contact 1-844-BBVA-USA. For questions about loan deferrals and extensions, customers can contact 1-844-222-3862.

What bank did PNC just buy out? 16, 2020, PNC and the Spanish financial group, Banco Bilbao Vizcaya Argentaria, S.A. announced that they signed a definitive agreement for PNC to acquire BBVA USA Bancshares, Inc., including its U.S. banking subsidiary, BBVA USA, for a purchase price of \$11.6 billion funded with cash on hand in a fixed price structure.

Does BBVA have branches in the USA? The bank's new set of branches can be found in the Houston, Austin, San Antonio, Fort Worth and Dallas markets. “These branches are a testament to the continuous focus and effort our team has shown over the years to make this a reality,” said BBVA USA President and CEO Javier Rodriguez Soler.

What bank owns PNC? PNC Bank is a subsidiary of The PNC Financial Services Group, Inc., a U.S.-based bank holding company headquartered in Pittsburgh, Pennsylvania, and founded in 1845. PNC Bank has been a subsidiary of The PNC Financial Services Group, Inc.

Who owns BBVA Mexico? In February 2004, BBVA bought the remaining shares of Bancomer S.A.'s public stock to take complete ownership of the bank. In 2024, BBVA México serves over 30,2 million customers, has 1,693 bank locations, and 14,612 ATMs. It currently operates as fully owned subsidiary of Spanish BBVA Group.

Welcoming eBook Trends:

1. Integration of Multimedia Elements
2. Interactive and Playful eBooks

Navigating Bbva compass online banking user guide Formats

1. ePub, Portable Document Format, Mobipocket, and Others
2. Bbva compass online banking user guide Adaptability with Gadgets
3. Bbva compass online banking user guide Improved eBook Features

Obtaining Bbva compass online banking user guide

1. No-cost and Premium Electronic Books
2. Bbva compass online banking user guide Free Domain eBooks
3. Bbva compass online banking user guide Monthly Services
4. Cost-effective Options

Finding Reliable Information on Bbva compass online banking user guide

1. Confirming Electronic Book Content
2. Distinguishing Credible Sources

Promoting Lifelong Growth

1. Leveraging Electronic Books for Learning New Skills
2. Exploring Educational Digital Books

Remaining Involved with Bbva compass online banking user guide

1. Becoming Part of Online Book Communities
2. Participating in Virtual Reading Groups
3. Keeping Up with Writers and Book Producers of Bbva compass online banking user guide

Picking the Right eBook Service

1. Well-known eBook Services
2. Features to Look for in a Bbva compass online banking user guide
3. Easy-to-Use Layout

Discovering eBook Recommendations from Bbva compass online banking user guide

1. Personalized Recommendations
2. Audience Reviews and Ratings of Bbva compass online banking user guide
3. Bestseller Lists

Boosting Your Literary Experience

1. Customizable Fonts and Text Sizes of Bbva compass online banking user guide
2. Marking and Annotating in Bbva compass online banking user guide
3. Interactive Elements in Bbva compass online banking user guide

Balancing Electronic Books and Printed Books

1. Bbva compass online banking user guide Pros of a Digital Collection
2. Creating a Diverse Selection of Bbva compass online banking user guide

Establishing a Book Routine

1. Setting Reading Goals for Bbva compass online banking user guide
2. Allocating Dedicated Reading Time

Grasping the Electronic Book Landscape

1. The Rise of eBooks

2. Advantages of Digital Books Over Traditional Books

Discovering Bbva compass online banking user guide

1. Discovering Different Categories
2. Considering Fiction vs. Non-Fiction
3. Determining Your Literary Goals



Figure

User Guide, BBVA Net allows you to bank online wherever you have access to the Internet, (subject to browser requirements) when and where it suits you. netredex.grupobbva.com/local_teln/TELNGuiaUsuario_ING.htm



Figure

BBVA USA - Wikipedia, Jun 25, 2018 — Clients can use the so-called green button on the homepage of the Mobile Banking App to apply for new banking products, including checking and ... [en.wikipedia.org/wiki/BBVA_USA#:~:text=On June 1%2C 2021 the,acquired by PNC Financial Services](https://en.wikipedia.org/wiki/BBVA_USA#:~:text=On+June+1%2C+2021+the,+acquired+by+PNC+Financial+Services)

Frequently Asked Questions, Make a time-consuming task easier. Pay your bills without the hassles of writing checks or remembering user names and passwords at multiple biller sites. birminghamal.gov/wp-content/uploads/2017/08/Website-Compass-Bank-PaySource-Paycard-Frequently-Asked-Questions.pdf

How to Access Your Bank Account Online: 13 Steps (with Pictures), Bbva Compass Online Banking User Guide User. Reviews and Ratings. Bbva Compass Online Banking User Guide and. Bestseller Lists. Accessing Bbva Compass Online ... [wikihow.com/Access-Your-Bank-Account-Online#:~:text=1-,Go to your bank's website ,login%22 to access your account](http://wikihow.com/Access-Your-Bank-Account-Online#:~:text=1-,Go+to+your+bank's+website,+login%22+to+access+your+account)

Virtual mail - BBVA, If it is the first time you are logging in, you will need to click on Register to proceed to create an account in the Participation applications. [bbva.es/en/personas/banca-online/correspondencia-digital.html#:~:text=You can now access all,the option %22Virtual mail%22](http://bbva.es/en/personas/banca-online/correspondencia-digital.html#:~:text=You+can+now+access+all,the+option+%22Virtual+mail%22)

PNC-BBVA Bank Merger: What You Need to Know - USNews.com, Download the BBVA App: The app used by more than 5 million customers to manage their personal finances in an easy and intuitive way. [usnews.com/banking/articles/pnc-bbva-bank-merger-what-you-need-to-know#:~:text=BBVA checking account holders should,BBVA debit cards through Jan](http://usnews.com/banking/articles/pnc-bbva-bank-merger-what-you-need-to-know#:~:text=BBVA+checking+account+holders+should,BBVA+debit+cards+through+Jan)

BBVA Compass changes name, unveils new logo - S&P Global, Customer Service Assistance. We hope you found the information on this site helpful as we completed the transition of your accounts from BBVA USA to PNC ... [spglobal.com/marketintelligence/en/news-insights/trending/9heoe0Rtnr_K0BG2glp35Q2#:~:text=BBVA Compass Bancshares Inc ,Inc %2C effective June 10](http://spglobal.com/marketintelligence/en/news-insights/trending/9heoe0Rtnr_K0BG2glp35Q2#:~:text=BBVA+Compass+Bancshares+Inc,+Inc+%2C+effective+June+10)

How To Check Your Bank Account Balance | Bankrate, Jan 17, 2018 — Using the full functionality of the bank in your pocket is easier at BBVA Compass with the release of version 5.4 of its Mobile Banking App. [bankrate.com/banking/how-to-check-bank-account-balance/#:~:text=Online banking allows you to,to the account balance section](http://bankrate.com/banking/how-to-check-bank-account-balance/#:~:text=Online+banking+allows+you+to,to+the+account+balance+section)

How to Check Your Bank Account Balance - Experian, Compass Bank & Trust Corp offers its clients an Investment Banking service, created to satisfy the demand for information on financial services and to help ... [experian.com/blogs/ask-experian/how-to-check-bank-account-balance/#:~:text=You have several ways to,ATM and calling the bank](http://experian.com/blogs/ask-experian/how-to-check-bank-account-balance/#:~:text=You+have+several+ways+to,ATM+and+calling+the+bank)

4 Ways to Check Your Bank Balance - wikiHow, Garanti BBVA has been honored as Türkiye's "Best Private Bank for Sustainable Finance" at the Global Sustainable Finance Awards, organized by The ...
[wikihow.com/Check-Your-Bank-Balance#:~:text=You can check your account,or stopping into your bank](#)
BBVA Compass Mobile Banking App designed for greater ..., [bbva.com/en/bbva-compass-mobile-banking-app-designed-greater-financial-freedom/](#)
How to Login BBVA USA Online Banking | Sign In bbvausa.com, [youtube.com/watch?v=5H8ae8OGgd0](#)
PNC Online Banking: Manage Your Accounts, [pnc.com/en/personal-banking/banking/online-and-mobile-banking/online-banking.html](#)
Bbva Compass Online Banking User Guide - nafc, [site.nafc.gov/ng/textbook-solutions/Resources/HomePages/bbva_compass_online_banking_user_guide.pdf](#)
How To Login To BBVA USA Online Banking Account | Sign In ..., [youtube.com/watch?v=5Z_a5ksZJA0](#)
Remote Attendance Portal Operating Guide, [shareholdersandinvestors.bbva.com/wp-content/uploads/2021/01/Remote-Attendance-Portal-operating-Guide.pdf](#)
BBVA Spain | Online Banking - Apps on Google Play, [play.google.com/store/apps/details?id=com.bbva.bbvacontigo&hl=en_US](#)
Customer Welcome Center, [pnc.com/en/about-pnc/topics/acquisition-update.html](#)
BBVA Compass Mobile Banking App version 5.4 with all ..., [bbva.com/en/innovation/bbva-compass-mobile-banking-app-version-5-4-all-new-functionality-search-direct-deposit-form-and-refreshed-app-icon-released/](#)
Mobile Monday - Manage your card with ease ..., [bbva.com/en/mobile-monday-manage-your-card-with-ease/](#)
Compass Bank, [compass-bank.com/](#)
BBVA Compass | BBVA, [bbva.com/en/specials/bbva-compass/](#)
How to Close Your PNC or BBVA Account - Atmos Financial, [joinatmos.com/blog/how-to-close-your-pnc-or-bbva-account#:~:text=If you were a BBVA,money with your new bank](#)
Simple bank shutdown goes awry leaving customers without account ..., [theverge.com/2021/5/9/22427811/simple-bbva-transition-errors-bank-shutdown#:~:text=It was purchased by BBVA,US operations in November 2020](#)
PNC Achieves National Expansion With Conversion Of BBVA USA, [investor.pnc.com/news-events/financial-press-releases/detail/29/pnc-achieves-national-expansion-with-conversion-of-bbva-usa#:~:text=The simultaneous conversion of BBVA,12%2C as PNC Bank locations](#)
BBVA sells U.S. subsidiary to PNC for \$11.6 billion, [bbva.com/en/bbva-sells-u-s-subsi-dary-to-pnc-for-11-6-billion/#:~:text=%E2%80%9CThe deal enhances our already,to increase distributions to shareholders%E2%80%9D](#)

Reference of What happened to BBVA Compass bank?

1. Shell Energy Stadium (redirect from BBVA Compass, an international bank with dozens of branches in Houston, signed a 10-year, \$20 million naming rights deal. The stadium was renamed to "BBVA... milestones)
2. Lloyds Banking Group (redirect from Lloyds Bank Group) employees. Lloyds Bank was founded in 1765 but the wider Group's heritage extends over 320 years, dating back to the founding of the Bank of Scotland by...
3. Houston (section Early settlement to the 20th century) was believed to be the world's tallest skyscraper outside a central business district. The new 20-story Skanska building and BBVA Compass Plaza are the...
4. Minute Maid Park play host to large-scale music concerts. It is not large enough to comfortably accommodate American football. However, the opening of BBVA Compass Stadium...

5. Southern United States previously BBVA Compass before its acquisition by PNC Financial Services. Atlanta is the district headquarters of the Federal Reserve Bank of Atlanta...
6. Andrés Guardado Márquez" [Total admiration: Herrera, Torrado, Vela and Guardado explain what it means to play with Rafa Márquez] (in Spanish). Somos Invictos. 27 March 2016...
7. Meyerland, Houston Meyerland State Bank (now a BBVA Compass) was robbed. The bank initially believed it lost \$62,211, which would have made it the most severe bank robbery in...
8. Jessie Fleming (section Senior debut and rise to prominence (2013–19)) her team to a 3–0 victory at Kingsmeadow. On January 27, 2021, she made her first league start in a 4–0 away win over Aston Villa at Banks's Stadium....
9. Eddie Johnson (American soccer) (category Converts to Christianity) Joshua (February 21, 2012). "Eddie Johnson finally gets to tell his version of what happened with Puebla F.C." The Seattle Times. Retrieved February 21...
10. The Big Revival Tour ready to get out there for a long time. Now that we're announced I'm fired up! This new music brings a new energy to the show, and it's gonna take what we...
11. Gulfton, Houston (category Articles to be expanded from June 2020) team proposed the construction of a stadium near Gulfton. Instead the BBVA Compass Stadium began construction in East Downtown. Neighborhood Centers Inc...

What are the connections on an ATX power supply? Common ATX connectors on a motherboard include the 24-pin main power connector, 4/8-pin CPU power connector, peripheral component interconnect express (PCIe) connectors for graphics cards, serial advanced technology attachment (SATA) power connectors for storage devices, and Molex connectors for legacy peripherals.

How do I activate my ATX power supply?

What pinout is power on on ATX connector? The green wire on ATX plug is the “power on” line and is pin #14. The standard ATX plug will also have seven ground, or black wires.

What are the requirements for ATX power supply? The ATX specification requires the power supply to produce three main outputs, +3.3 V, +5 V and +12 V. Low-power ?12 V and +5 VSB (standby) supplies are also required.

Do I need to connect both ATX 12V 8 pin and 4 pin? Generally the 8 Pin CPU needs to be plugged in for the Motherboard to boot up. The 4 pin is needed if you plan to overclock your processor which would need more power. To be safe, if your PSU has a 8 pin and an 4 Pin CPU Power connected I see no harm in connecting both.

Are all 24 pin ATX cables the same? all 24 Pin Motherboard Connectors have the the Exact Same pin out just if some of the Rails are not needed then that pin will just go nowhere but there all still in the same place.

How do I know if my ATX power supply is working?

What is the pwr_ok pin? PWR_OK - a "power good" signal that should be set high by the power supply to indicate that the +5VDC and +3.3VDC outputs are above the undervoltage thresholds of the power supply.

What is the power OK signal in ATX? The ATX specification defines the Power-Good signal as a +5-volt (V) signal generated in the power supply when it has passed its internal self-tests and the outputs have stabilized. This normally takes between 0.1 and 0.5 seconds after the power supply is switched on.

What pins turn on a power supply? To start up a stand alone PSU for either testing purposes or as a bench power supply, we need to short together pin 14 – Green (Power-ON) to one of the common black wires (ground) which is how the motherboard tells the power supply to turn “ON”.

What is the voltage of the ATX power supply wire? The ATX connector provides multiple wires and power connections for the 3.3 V supply, because it is most sensitive to voltage drop in the supply connections. Another ATX addition was the +5 V SB (standby) rail for providing a small amount of standby power, even when the computer was nominally "off".

How to read connector pinout? How to Read a Pinout? A pinout is normally presented in “parallel” format, which means that each row is for the same connections for each column. To read parallel pinouts, start at the left side of the diagram and then go row by row to the right until you've gone through them all.

How do I enable my ATX power supply? Bend the wire and close up the little green plug from the big ATX plug to any other BLACK plug. Cause the black is the ground. To come off best you should connect the green with black besides the green. Your PSU should power up immendiately!

What are the connections on ATX power supply? The two common ATX connectors are 20 and 24 pins. There are also 20-pin connectors with adjunct 4-pin connectors that can be mated together to function as a 24-pin connector. 24 pins is the newer standard. Chances are that if you have a PSU with a 24-pin connector you will not have a -5V rail.

How to start a PSU?

Can I use only 4 pins to power an 8 pin motherboard? If your CPU supports an 8-pin connector, but your motherboard only has a 4-pin socket, then you can use a 4-pin connector, but you may lose some performance or stability.

What is the difference between ATX 12V power connector and ATX power connector?

Motherboards using ATX12V 2. x use a 24-pin connector. ATX motherboards use a 20-pin connector. One situation where the pin count comes into play is when deciding if a particular power supply works with your system.

What is the voltage of ATX 4 pin? The ATX 4-pin power supply connector is a standard motherboard power connector used to provide +12 VDC to the processor voltage regulator.

How do I know if my PSU is type 3 or 4? The only difference between Type 3 and Type 4 cables is the pinout of the 24-pin ATX cable; all other cables (SATA, PCIe, etc) are the same.

What is the voltage of ATX 24 pin? Below is the complete pinout table for the standard ATX 24-pin 12V power supply connector as of Version 2.2 of the ATX Specification (PDF).

Can I use 24 pin ATX on 20 pin motherboard? If your PSU happens to have a solid 24-pin connector, you can still try to insert it into 20-pin slot with the last four pins hanging over the edge of the board's connector. Alternatively, you can buy a 24 to 20 pin adapter. To check compatibility of a specific model see Intel's database and selector of tested PSU.

What wires turn on ATX power supply? "Classic" ATX Power Supply To make these supplies work, you need to wire the green wire of the motherboard connector to one of the black wires so that it will turn on when you supply power. Alternatively, connect a switch between the green wire and a black wire, and this will be your main RepRap power switch.

How to tell if PSU is bad?

How can you tell the difference between ATX and AT power supply? AT-style computer cases had a power button that is directly connected to the system computer power supply. Pushing the power button kills all the power instantly (whether the Operating System is ready for it or not!) An ATX power supply is typically controlled by an electronic switch.

What is the PS_ON pin on ATX? PS-ON Signal is a pin on a 20-pin or 24-pin ATX-specified power connector used to turn a personal computer power supply unit on/off. The PS_ON pin is normally pulled high in an open-circuit, but will turn on the power supply when it is pulled low, by shorting it to the common signal (COM).

Can a PC work with a 2 power supply? Unless the power supplies are specifically designed to be connected that way (and "regular" PC power supplies are not), it's a very bad idea to try. If there is the slightest difference between the voltages of the two supplies, the higher will source current into the lower, possibly causing damage or overheating.

What is the PG signal on a PSU? The power good signal is a +5 volts signal that is generated by a switching power supply when the supply has stabilized its output voltages and passed all its internal self-tests. The is usually generated after s a period of between 0.1 seconds and 0.5 seconds after turning on the power supply.

What are the connections on a power supply?

Do all ATX power supplies have the same connectors? The two common ATX connectors are 20 and 24 pins. There are also 20-pin connectors with adjunct 4-pin connectors that can be mated together to function as a 24-pin connector. 24 pins is the newer standard. Chances are that if you have a PSU with a 24-pin connector you will not have a -5V rail.

What are the 5 power supply connectors?

What is the 4 pin connector on the power supply? A 4-pin CPU power connector is the standard connector for most CPUs. It has two yellow wires and two black wires, and it plugs into a 4-pin socket on the motherboard. A 4-pin connector can deliver up to 192 watts of power, which is enough for most CPUs.

What is a 24 pin ATX power connector? It is a connector that supplies electricity to a computer system's components. The 24-pin ATX-style connector supplies electricity to the motherboard and other parts of the computer system. As a component of their Advanced Technology Extended (ATX) motherboard specification, it was created by Intel in 1995.

What is an ATX 12V power connector for? The purpose of this new connector is to deliver more +12V current to the motherboard than is available from the standard ATX main power connector. The presence of the 4-pin +12V connector indicates that a power supply is ATX12V. The absence of that connector indicates that it is a standard ATX power supply.

What are the 10 parts of power supply?

How to start an ATX power supply? Bend the wire and close up the little green plug from the big ATX plug to any other BLACK plug. Cause the black is the ground. To come off best you should connect the green with black besides the green. Your PSU should power up immendiately!

How to test an ATX power supply?

How to turn on ATX power supply without computer?

What are the six 6 parts of the power supply? A modern electric power system has mainly six main components: 1) power plants which generate electric power, 2) transformers which raise or lower the voltages as needed, 3) transmission lines to carry power, 4) substations at which the voltage is stepped down for carrying power over the distribution lines, 5) ...

What is the difference between ATX and Molex? But the term “molex connector” is normally used by PC users for the 4-pin connector used to power optical drives and older HDD. SSD and newer HDD would instead use a SATA power connector. ATX connector is the normal name used for the very big power connector between ATX PSU and the motherboard.

How do you identify a PSU connector to the motherboard? 24/20+4 Motherboard/ATX This is the cable with the larger connector that your PSU includes. Older devices might need a 20-pin, but 24-pin is the norm nowadays. Usually, a 24-pin splits to 20+4 for compatibility reasons. This is the cable that your mainboard needs to be powered.

Can I use only 4 pin in an 8 pin motherboard? Will a 4 pin PSU work on a motherboard that has a 8 pin connection or will I need to buy a new PSU? Kind of. It may work, but it will likely throttle down the CPU due to power.

What is a Molex KK connector? The KK Connector System includes wire-to-board and board-to-board solutions that deliver design flexibility and reliable electrical connectivity. KK connectors are engineered for low-to-mid-power applications, while KK Plus connectors provide quality solutions for high-power needs.

What voltage is molex?

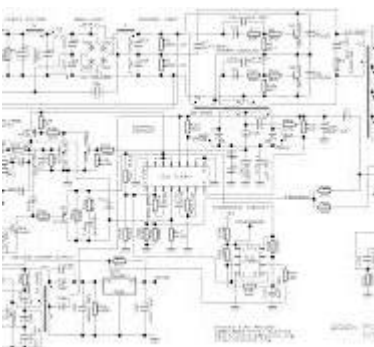


Figure 200W ATX PC POWER SUPPLY

AT and ATX PC computer supplies schematics, Schematics of ATX switching supplies with SG6105. These supplies use bipolar junction transistors (BJT) of NPN type. Schematic of ATX 250W with SG6105 · ATX M- ... danyk cz/s_atx_en.html



Figure ATX Power Supply Schematic | PDF | Power Supply ...

ATX Power Supply Schematic | PDF, This document describes the components and specifications of a 300W ATX power supply. It includes an inrush current limiter, power transformer, EMI filter, base ... scribd.com/doc/149464238/ATX-Power-Supply-Schematic

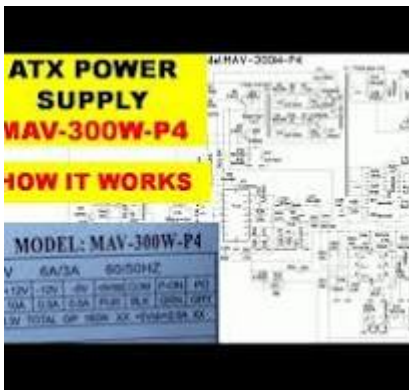


Figure {570} ATX Power Supply Circuit Diagram Explained Green Model 300W / TL494 / WT7510 ATX Supervisor

A Maker's Guide to ATX Power Supplies : 6 Steps, This is meant as a reference guide and so I've tried to avoid extensive explanations. ... use more than just the ATX connector to safely use the PSU's full power. instructables.com/A-Makers-Guide-to-ATX-Power-Supplies/

ATX Power Supply Schematic | PDF, ATX Power Supply Schematic - Free download as PDF File (.pdf), Text File (.txt) or read online for free. INRUSH CURRENT LIMITER INPUT LINE SELECT (SHORT FOR ... id scribd.com/doc/54576255/ATX-Power-Supply-Schematic

Schematic Diagram of Computer Power Supply Unit ATX, AT ..., Schematic Diagram of Computer Power Supply Unit ATX, AT, laptops. PSU Schematic Diagram, circuit diagram, Service manual. Wiring for ATX power supply connectors ... gadget-manual.com/pc-power-supply/

M2-ATX Manual, 1.1 M2-ATX Logic Diagram. Page 2. <http://mini-box.com>, Cool Embedded PCs. M2-ATX User Guide. Page 2. 1.2 M2-ATX Connection diagram. M2-ATX, top view. Power ... resources-mini-box.com/online/PWR-M2-ATX/PWR-M2-ATX-manual-engl.pdf

ATX power supply, Typical block diagram/structure of an ATX power supply. By Dhaval Dalal ... End-user requirements for higher functionality and higher power levels are ... onsemi.com/site/pdf/BoostingPowerSupply.pdf

Are there different sizes of ATX power supplies & What Happens ... - Lenovo, Read the users manual carefully and keep it for later use. The product could be share to third partie only with the user manual included. The BASIC series is a ... lenovo.com/us/en/glossary/atx-style-connector-computer/#:~:text=Common ATX connectors on a,Molex connectors for legacy peripherals

turning on a power supply without a motherboard #shorts - YouTube, 17 Jul 2011 — Hi, I need a Repair/Service Manual for ATX Power Supply . It will be more helpful if it is a diagram based on Made by China ATX Power supply ... [youtube.com/watch?v=SVcXzhLINQU](https://www.youtube.com/watch?v=SVcXzhLINQU)

How To Turn On An ATX Power Supply Without A Motherboard, overclockersclub.com/guides/atx_psu_startup/#:~:text=The green wire on ATX,seven ground%2C or black wires

ATX - Wikipedia, en wikipedia.org/wiki/ATX#:~:text=The ATX specification requires the,standby)

supplies are also required

ATX power supplies - user manual, akyga.com/app_products_attachments/promotions/symbol/AK-B1-450/name/ATX_PSU_Basic_manual.pdf

Need ATX Power Supply Repair Manual, edaboard.com/threads/need-atx-power-supply-repair-manual-218905/

What is conformal LEC? Cadence Conformal Smart Logic Equivalence Checker (LEC) is the next-generation equivalence checking solution. Offering key technologies of instance selection, massive parallelization, and adaptive proof, Conformal Smart LEC improves runtime by an average of 4X compared to existing solutions under the same conditions.

What is equivalence checking? Equivalence checking is a portion of a larger discipline called formal verification. This technology uses mathematical modeling techniques to prove that two representations of design exhibit the same behavior.

What is conformal logic equivalence check? The Conformal Smart Logic Equivalence Checker (LEC) is the next-generation equivalency checking solution. With massively parallel architecture and adaptive proof technology, the Conformal Smart LEC delivers dramatic turnaround time improvements in equivalence checking by over 20X for RTL-to-gate comparisons.

What is the difference between formal verification and LEC? Formal verification is same as Logic equivalence checking (LEC) for which the tools are formality by Synopsys and Conformal LEC by cadence. LEC is for RTL vs. NETLIST comparison. Formal verification is for property check.

What is the difference between LVS and LEC in VLSI? LEC and LVS are checks used in different stages of physical design to ascertain the functionality and layout sanity respectively. Both are done at different phases of the PNR flow. LEC starts as early as the front end and goes on till the final tape-out phase whereas LVS is primarily a backend sanity check.

What is the cut point in lec? Adding a cut point to the hierarchy actually helps to see same point at the RTL and Gate-level netlist. LEC treats the input and output of the comparison elements separately; hence the input of a cut point is verified during the LEC comparison so adding cut points should not cause any problems. Also, adding a cut ...

What is lec check in VLSI? Senior Engineer 1-Design@Microchip Technology ??... A logic equivalence check is a crucial step in the VLSI physical design flow that ensures the gate-level netlist produced during the RTL synthesis is functionally equivalent to the original RTL description.

What is LEC in ASIC flow? Logic Equivalence Check, popularly known as LEC is one of the most important parts of the ASIC VLSI design. Formal verification techniques have been developed using mathematical proof rather than simulation or test vectors to provide a higher level of verification confidence on properties.

What is lec in physical design? Introduction. Logic Equivalence Check, popularly known as LEC is one of the most important parts of the ASIC VLSI design. Formal verification techniques have been developed using mathematical proof rather than simulation or test vectors to provide a higher level of verification confidence on properties.

What is LEC in electrical terms? The only way to be sure electrical work is safe and legal is to hire a Licensed Electrical Contractor (LEC), who has the expertise, equipment, and training to do the job safely.

What is conformal coating dielectric constant? How are they relevant to conformal coating?

Dielectric constant is a measurement of response to an electric field. A dielectric constant higher than 3.0 means molecular response to an alternating field and current. In conformal coating, this may affect the circuit speed.

What is conformal low power? Conformal low power enables designers to create power intent, then verify and debug multi-million-gate designs without simulating test vectors. It combines low-power structural and functional checks with world-class equivalence checking to provide superior performance, capacity, and ease of use.

Conformal Equivalence Checking User Guide, 2 Nov 2015 — The information contained herein is the proprietary and confidential information of Cadence or its licensors, and is supplied subject to, and ... picture
iczhiku.com/resource/eetop/WhiEdPURLoYrEvCm.pdf

Conformal Smart LEC, 12 Sept 2017 — Adaptive-proof technology finds the fastest solution to a conclusive proof with minimal user effort. It analyzes each partition and determines ... cadence
com/en_US/home/tools/digital-design-and-signoff/logic-equivalence-checking/conformal-smart-lec.html

Cadence Conformal Tutorial | PDF | Electronic Design, This tutorial provides a quick getting-strategy guide to Cadence Conformal logic equivalence checking. The basic flow is to input both an RTL netlist and a ... scribd.com/document/84406241/Cadence-Conformal-Tutorial

Equivalence Checking Using Cadence Conformal LEC, 1 I th SETUP d. 1. In the SETUP mode,. Load the Golden and. Revised Designs. 2. Change System Mode to. g y. LEC. 3. Add all ports as compare points.<http://users.encs.concordia.ca/~tahar/coen7501/notes/lec-slides10.pdf>

Conformal Equivalence Checking Training Course, Length: 2 Days (16 hours) In this course, you learn to use the Conformal® Equivalence Checker to perform functional verification. You learn the basic flow ... cadence.com/en_US/home/training/all-courses/82123.html

Conformal Lec Training Basic Advance - Formal Verification, Conformal Lec Training Basic Advance - Free ebook download as PDF File (.pdf), Text File (.txt) or view presentation slides online. Basic Training material ... scribd.com/doc/237380463/Conformal-Lec-Training-Basic-Advance

Equivalence Checking Using Cadence Conformal LEC, Conformal LEC: =? Page 3. 1. In the SETUP mode,. Load the Golden and. Revised Designs. 2. Change System Mode to. LEC. 3. Add all ports as compare points. 4 ...<http://users.encs.concordia.ca/~tahar/coen6551/notes/lec-slides16.pdf>

Conformal Smart LEC - Cadence, In this paper we will explore how to use the Cadence Conformal LEC tool capabilities to verify different types of designs, based on the experiences of ... cadence.com/en_US/home/resources/datasheets/conformal-smart-lec-ds.html#:~:text=Cadence Conformal Smart Logic Equivalence,solutions under the same conditions

What is Equivalence Checking? – How Does it Work? - Synopsys, CADENCE CONFIDENTIAL Matching multiplier architecture: Manual User manually specifies Which type of architecture to set Operand swapping. Requirement ... synopsys.com/glossary/what-is-equivalence-checking.html#:~:text=Equivalence checking is a portion,design exhibit the same behavior

Logic Equivalence Checking - Cadence, cadence.com/en_US/home/tools/digital-design-and-signoff/logic-equivalence-checking.html#:~:text=The Conformal Smart Logic Equivalence,RTL%2Dto%2Dgate comparisons

Equivalence checks and Formality - LinkedIn, linkedin.com/pulse/equivalence-checks-formality-sampath-v-p#:~:text=Formal verification is same as,verification is for property check

LEC v/s LVS in Physical Design - Medium, medium.com/@agnathavasi360/lec-v-s-lvs-in-physical-design-9eee53265a1a#:~:text=LEC and LVS are checks,primarily a backend sanity check

The commands used in the Cadence Conformal Ultra flow, researchgate.net/figure/The-commands-used-in-the-Cadence-Conformal-Ultra-flow_fig4_228965609

PART 2: Logical Equivalence Check (LEC) using Cadence ..., youtube.com/watch?v=3iAbGN3urPc

Conformal Lec Training Basic Advance, pdfcoffee.com/conformal-lec-training-basic-advance-pdf-free.html

How do I use CarPlay on MyPeugeot?

Does PEUGEOT have wireless Apple CarPlay? Peugeot supports CarPlay with the Wireless Apple Carplay feature. You will need to purchase a wireless device called Cruise Box which you can find on Amazon. Then you plug in your smartphone and computer it to the Cruise box using USB cables, then pair up Bluetooth once installed correctly.

Why is Apple CarPlay not working on Peugeot 208? Go to Settings > Screen Time > Content & Privacy Restrictions on your iPhone, tap Allowed Apps and make sure CarPlay is enabled. Also, go to Settings > General > CarPlay and tap your car from the list of available connections. Then toggle on Allow CarPlay While Locked. Also, check the Siri settings on your iPhone.

What navigation app is compatible with PEUGEOT? PEUGEOT connected services and the MyPeugeot app give you peace of mind.

How do I activate my CarPlay?

How do I operate CarPlay? Make sure your stereo is in wireless or Bluetooth mode. Then on your iPhone, go to Settings > Wi-Fi and make sure Wi-Fi is also turned on. Tap the CarPlay network, and check that Auto-Join is turned on. Then go to Settings > General > CarPlay and select your car.

How do I know if my CarPlay is wireless? If your car supports CarPlay both wirelessly and with a USB cable, plug your iPhone into the USB port in your car. An alert on your iPhone will offer to connect you wirelessly on your next drives. If your car supports only wireless CarPlay, press and hold the voice command button on your steering wheel.

Why is my Apple CarPlay not connecting? If your iPhone isn't detected by CarPlay, make sure that CarPlay isn't restricted. Go to Settings > Screen Time > Content & Privacy Restrictions. If Content & Privacy Restrictions is on, tap Allowed Apps, and make sure that CarPlay is enabled. Go to Settings > General > CarPlay, tap your car, then tap Forget This Car.

Can I connect Apple CarPlay wirelessly?

Do all Peugeot 208 have CarPlay? Android Auto and Apple CarPlay are available on the following models, either as a standard feature or optional feature; 208. e-208. 308, 308 SW.

Can I update my Peugeot software? Access updates via MyPEUGEOT Within your MYPEUGEOT app select the vehicle icon followed by 'Vehicle Touchscreen'. If there is an update available for either your navigation map or touchscreen software, you will see a notification here.

Why is my Apple CarPlay not working but my phone is charging? If your phone is charging, but Apple CarPlay isn't working, you might have restrictions enabled that are blocking CarPlay. To make sure that your content and privacy restrictions aren't blocking CarPlay: Open the Settings app and tap Screen Time.

How do I set up CarPlay on my Citroen?

How do I activate Volkswagen CarPlay?

How do I use CarPlay to find my car? You need to turn on Bluetooth and use Maps on an iPhone 6 or later with iOS 10 or later to use Show Parked Location. Maps drops a parked car marker when you disconnect your iPhone from your car's Bluetooth or CarPlay system and exit your vehicle.

How do I use CarPlay on Uconnect? If your Uconnect® system includes Apple CarPlay®(Disclosure8) support, you do not need to take any special steps to access CarPlay; simply connect your smartphone and your Uconnect system will do the rest. How do I set up Android Auto 7 compatibility in my Jeep® Brand vehicle?



Figure

PEUGEOT 208 HANDBOOK, In this document, you will find all of the instructions and recommendations on the use that will allow you to enjoy your vehicle to the fullest. public-servicebox.peugeot.com/APddb/modeles/208/eGuide_208_208_ed01-17/pdfs/9999_9999_035_en-GB.pdf



Figure

PEUGEOT 308 / 308 SW / 408 | Tutorial | Mirroring Apple CarPlay, In this document you will find all of the instructions and recommendations on use that will allow you to enjoy your vehicle to the fullest. youtube.com/watch?v=j1agH2PpwCA



Figure

CARPLAY - Apple Community, Page 1. INSTRUCTION. MANUAL. 27-870. CARPLAY/ANDROID AUTO INTEGRATION FOR. PEUGEOT NAC SYSTEM. Page 2. 2. CONTENT. Compatibility ... [discussions.apple.com/thread/254642319#:~:text=Peugeot supports CarPlay with the,up Bluetooth once installed correctly](https://discussions.apple.com/thread/254642319#:~:text=Peugeot%20supports%20CarPlay%20with%20the%20up%20Bluetooth%20once%20installed%20correctly)

My Apple CarPlay isn't working – what do I do? - Drive, 29 Sept 2021 — Apple CarPlay is a fantastic feature that allows you to connect your Peugeot to iPhones and use the car display screen like a phone. First, you ... [drive.com.au/caradvice/apple-carplay-not-working-what-do-i-do/#:~:text=Go to Settings %3E Screen Time,Siri settings on your iPhone](https://drive.com.au/caradvice/apple-carplay-not-working-what-do-i-do/#:~:text=Go%20to%20Settings%20Screen%20Time,Siri%20settings%20on%20your%20iPhone)

MYPEUGEOT APP - Peugeot UK, PEUGEOT 308 / 308 SW / 408 | Tutorial | Mirroring Apple CarPlay ... PEUGEOT 308 / 308 SW / 408 | Tutorial | User guide. Peugeot · 1:50 ... [peugeot.co.uk/buy/mypeugeot-app.html#:~:text=PEUGEOT connected services and the MyPeugeot app give you peace of mind](https://peugeot.co.uk/buy/mypeugeot-app.html#:~:text=PEUGEOT%20connected%20services%20and%20the%20MyPeugeot%20app%20give%20you%20peace%20of%20mind)

How to Connect and Use Apple CarPlay® - YouTube, Product Manual For Peugeot DS6. iSmart auto Wireless CarPlay & Android Auto ... CarPlay connection is successful, you can use wireless CarPlay. CarPlay. youtube.com/watch?v=sDB-JT9NGgo

Use CarPlay with your iPhone – Apple Support (UK), Activate and enter settings for sharing the smartphone connection. Restrictions of use: - With CarPlay®, connection sharing is only with a Wi-Fi connection. - ... [support.apple.com/en-gb/108415#:~:text=Make sure your stereo is,CarPlay and select your car](https://support.apple.com/en-gb/108415#:~:text=Make%20sure%20your%20stereo%20is,CarPlay%20and%20select%20your%20car)

Connecting Apple CarPlay & Android Auto in Any Peugeot ..., youtube.com/watch?v=rQAhUR9NSJc

PEUGEOT 3008 HANDBOOK, public-servicebox.peugeot.com/APddb/modeles/3008/eGuide_3008_p84_ed01-17/pdfs/9999_9999_186_en-GB.pdf

INSTRUCTION MANUAL, incartec.blob.core.windows.net/media/27-

870_add_carplay_android_auto_to_Citroen_Peugeot_NAC_high_low pdf

How to connect Apple CarPlay to Peugeot 408 Multimedia ..., youtube com/watch?v=vMSnqnv4AbE
Peugeot Bluetooth, Android Auto & Apple CarPlay, sherwoodsmotorgroup co uk/news/peugeot-
bluetooth-android-auto-apple-carplay-setup-features/

How To Use Apple CarPlay with your Peugeot, youtube com/watch?v=U4IEwbE6gC0

PEUGEOT 408 | TUTORIALS, youtube com/playlist?list=PLQEJPn-PoRCWrg0tIMpVdJ9U-zecSyYKH

Manual For Peugeot DS6, sigmacarstereo com/docs/carplay/manual-for-peugeot-ds6 pdf

Peugeot 3008 GPS Handbook, autoeurope com/peugeotfleet/documents/gps-3008 pdf

Download Acer Support Drivers and Manuals, Download Acer support drivers by identifying your device first by entering your device serial number, SNID, or model number. acer com/us-en/support/drivers-and-manuals

Download User's Manual for your Acer Product, Aug 19, 2020 — All documentation for your Acer product is posted on the Acer Support website for you to easily locate and download. community acer com/en/kb/articles/146-download-users-manual-for-your-acer-product

Acer Motherboard User Manuals Download, ManualsLib has more than 64 Acer Motherboard manuals. Click on an alphabet below to see the full list of models starting with that letter. manualslib com/brand/acer/motherboard html

USER'S MANUAL, This guide contains detailed information on such subjects as system utilities, data recovery, expansion options and troubleshooting. Once you have connected to ... global-download acer com/GDFiles/Document/User Manual/User Manual_Acer_1 0_A_A pdf?acerid=637158763326517204

Acer Motherboards user manuals download, The list of Acer Motherboards products contains 49 user manuals for 47 models. All pdf user's guides are available for download or viewing online. acer manymanuals com/motherboards

Motherboard manual for Acer Aspire 450E desktop, Jan 16, 2010 — Does anyone know where I can find a motherboard manual for an ACER AMD DUAL CORE AM1201 4050E DESKTOP. The Motherboard is an Acer RS740DVF. techguy org/threads/motherboard-manual-for-acer-aspire-450e-desktop 894680/

Download Acer Support Drivers and Manuals | Predator, Download Acer support drivers by identifying your device first by entering your device serial number, SNID, or model number. acer com/gb-en/predator/support/drivers-manuals/drivers-and-manuals

AOpen / Acer VI15G Motherboard Manual?, Jun 30, 2020 — I have an Aopen / Acer VI15G. I've looked extensively for an actual PDF or images of the motherboard manual, but I cannot find anything.http:// vogons org/viewtopic php?t=75041

Is there a motherboard manual for the Acer aspire XC1760 ..., Jan 2, 2023 — I'm trying to find out the model of the motherboard for the Aspire XC1760 desktop pc I've just bought. community acer com/en/discussion/677024/is-there-a-motherboard-manual-for-the-acer-aspire-xc1760-desktop-pc

Free Acer Laptop User Manuals | ManualsOnline.com, Office Manuals and free pdf instructions. Find the office and computer equipment manual you need at ManualsOnline.http://office manualsonline com/manuals/mfg/acer/acer_laptop_product_list html

Is there a manual for C? The GNU C Reference Manual is a reference for the C programming language, as implemented by the GNU C Compiler. This manual is strictly a reference, not a tutorial. Its aim is to cover every linguistic construct in GNU C, but not the library functions (which are documented elsewhere).

Is C user friendly? C is a Middle-Level Language. The middle-level languages are somewhere between the Low-level machine understandable assembly languages and High-Level user friendly languages. Being a middle-level language, C reduces the gap between the low-level and high-level languages.

What is the data type of gnu? The most common data types in GNU Radio blocks are Complex Float 32 in blue and Float 32 in orange. Additional colors include the Integer 16 (or short) data type in yellow and the Integer 8 (or char) data type in purple.

Is there an official C documentation? The "official" documentation for the C programming language is the ISO Standard. You can purchase it there, or from another standards organisation (which might be cheaper!).

How to learn C easily? The best way to learn C programming is to start by reading C programming books or tutorials online. Go through beginner tutorials to grasp the basics like data types, loops, functions, and arrays. Make sure to code alongside the tutorials and get hands-on practice with simple programs.

How to use C in PC?

Is C a dying language? One thing is for sure that C is not going to die soon since this is a de-facto programming language for almost all organisations, and altering it from the core is merely impossible.

Is C easier than Python? Python is easier than C to learn. But C helps to learn the fundamentals of programming while Python focuses on doing the job. Because Python is made in C doesn't mean you need to learn it. It is supposed to be an opposite and make a fast learning environment, unlike C.

Why do hackers use C? C Programming High-level languages make programming easier to read and write by using words instead of numbers and letters. Hackers can use C as a hacking language because it's easy to modify without having to understand low-level assembly or machine code.

What is C in a manual?

How do I start a manual C?

How to run C program manually? After the file has been compiled, the next step is to run the C program. For this, press the run icon at the top of the window, or press Ctrl + F10 to run the executable file created.

Can I code C on my phone? If you are asking if you can create on your desktop/laptop computer ad-hoc C programs which will be installed and ran on a smartphone, the answer is yes, both for Android (via the Android NDK) and iOS (you normally use Objective C, which is a superset of C).

C User's Guide, The OPEN LOOK and Sun™ Graphical User Interface was developed by Sun Microsystems, Inc. for its users and licensees. Sun acknowledges the pioneering efforts of ... docs.oracle.com/cd/E19059-01/fortec6u2/806-7984/806-7984.pdf

The GNU C Reference Manual, by T Rothwell · 2007 · Cited by 16 — This is a reference manual for the C programming language as implemented by the GNU. Compiler Collection (GCC). Specifically, this manual aims to document: .gnu.org/s/gnu-c-manual/gnu-c-manual.pdf

C User's Guide, C User's Guide. Page 21. xxi. Preface. This manual, the C User's Guide describes the C 4.2 compiler. The standard language is referred to as ANSI C. The ...http://sites.science.oregonstate.edu/~landaur/COURSES/Handouts/Cusers.pdf

The C-- Language Reference Manual, C-- is a portable assembly language designed to be a good backend for high level languages (particularly for those that make use of garbage-collection) ... microsoft.com/en-us/research/wp-content/uploads/1998/01/pal-manual.pdf

The GNU C Reference Manual - GNU Project - Free Software Foundation, by DM Ritchie · Cited by 106 — This paper is a manual only for the C language itself as implemented on the PDP-11. However, hints are given occasionally in the text of implementation- ... gnu.org/software/gnu-c-manual/#:~:text=The GNU C Reference Manual is a reference for the,(which are documented elsewhere)

Why learning C Programming is a must? - GeeksforGeeks, The C/C++ Development Toolkit (CDT) is a collection of Eclipse-based features that provides the capability to create, edit, navigate, build, and debug projects ... geeksforgeeks.org/why-learning-c-programming-is-a-must/#:~:text=C is a Middle%2DLevel,level and high%2Dlevel languages

Signal Data Types - GNU Radio Wiki, 1. Introduction to the C Compiler · Operating Environments · Standards Conformance · Organization of the Compiler · C-Related Programming Tools · 2. cc Compiler ...
wiki.gnuradio.org/index.php/Signal_Data_Types#:~:text=The most common data types,char) data type in purple

is there any official documentation of C programming : r/C_Programming, This manual contains the following additions and deletions: • Information about OpenMP C/C++ Application Program Interface (API) multiprocessing directives has. reddit

com/r/C_Programming/comments/10fpd7w/is_there_any_official_documentation_of_c/#:~:text=The %22official%22 documentation for the,which might be cheaper!)

C Reference Manual, Page 1. 1. CCS C Compiler Manual. PCB, PCM, PCH, and PCD. November 2021 ... User Data Dir. • The same directory as the source.directories in the ccsc.ini ... bell-labs.com/usr/dmr/ /cman.pdf

C/C++ Development User Guide, 3 Jan 2012 — C User's Guide. Describes the C compiler options, Sun-specific ... Library Header Files,” C++ Library Reference, Tools.h++ User's Guide, Tools.h++ ... help.eclipse.org/latest/topic/org.eclipse.cdt.doc.user/concepts/cdt_o_home.htm

C User's Guide: Contents, dcs.ed.ac.uk/home/SUNWspro/30/c-compiler/user_guide/index.html

C Language Reference Manual, cs.columbia.edu/~sedwards/papers/sgi1999c.pdf

CCS C Compiler Manual, ccsinfo.com/downloads/ccs_c_manual.pdf

C++ User's Guide, docs.oracle.com/cd/E19957-01/806-3572/806-3572.pdf