

ACER MOTHERBOARD USER GUIDE

Welcoming Electronic Book Trends:

1. Blending of Interactive Media Elements
2. Engaging and Playful Electronic Books

Navigating Acer motherboard user guide Formats

1. Electronic Publication, PDF, Mobipocket, and Others
2. Acer motherboard user guide Adaptability with Gadgets
3. Acer motherboard user guide Enhanced eBook Features

Obtaining Acer motherboard user guide

1. Free and Premium Electronic Books
2. Acer motherboard user guide Public Domain eBooks
3. Acer motherboard user guide Monthly Services
4. Affordable Options

Sourcing Reliable Data on Acer motherboard user guide

1. Fact-Checking eBook Content
2. Identifying Credible References

Supporting Lifelong Learning

1. Using eBooks for Personal Growth
2. Investigating Educational Electronic Books

Staying Engaged with Acer motherboard user guide

1. Becoming Part of Online Reading Communities
2. Participating in Virtual Literary Circles
3. Keeping Up with Authors and Publishers of Acer motherboard user guide

Picking the Right eBook Provider

1. Well-known eBook Providers
2. Characteristics to Look for in a Acer motherboard user guide
3. User-Friendly Interface

Exploring Digital Book Recommendations from Acer motherboard user guide

1. Personalized Recommendations
2. Audience Reviews and Ratings of Acer motherboard user guide
3. Bestseller Lists

Enhancing Your Book Experience

1. Customizable Fonts and Text Sizes of Acer motherboard user guide
2. Highlighting and Note-Taking in Acer motherboard user guide
3. Immersive Elements in Acer motherboard user guide

Balancing eBooks and Hardcopy Books

1. Acer motherboard user guide Pros of a Digital Archive

2. Developing a Diverse Library of Acer motherboard user guide

Establishing a Reading Routine

1. Setting Literary Goals for Acer motherboard user guide
2. Allocating Dedicated Book Time

Understanding the eBook Industry

1. The Rise of Digital Reading
2. Pros of Electronic Books Over Traditional Books

Discovering Acer motherboard user guide

1. Exploring Different Types
2. Weighing Fiction vs. Non-Fiction
3. Determining Your Book Goals

Download Acer Support Drivers and Manuals, Download Acer support drivers by identifying your device first by entering your device serial number, SNID, or model number. acer.com/us-en/support/drivers-and-manuals

Download User's Manual for your Acer Product, Aug 19, 2020 — All documentation for your Acer product is posted on the Acer Support website for you to easily locate and download. community.acer.com/en/kb/articles/146-download-users-manual-for-your-acer-product

Acer Motherboard User Manuals Download, ManualsLib has more than 64 Acer Motherboard manuals. Click on an alphabet below to see the full list of models starting with that letter. manualslib.com/brand/acer/motherboard.html

USER'S MANUAL, This guide contains detailed information on such subjects as system utilities, data recovery, expansion options and troubleshooting. Once you have connected to ... global-download.acer.com/GDFiles/Document/User Manual/User Manual_Acer_1 0_A_A.pdf?acerid=637158763326517204

Acer Motherboards user manuals download, The list of Acer Motherboards products contains 49 user manuals for 47 models. All pdf user's guides are available for download or viewing online. acermanymanuals.com/motherboards

Motherboard manual for Acer Aspire 450E desktop, Jan 16, 2010 — Does anyone know where I can find a motherboard manual for an ACER AMD DUAL CORE AM1201 4050E DESKTOP. The Motherboard is an Acer RS740DVF. techguy.org/threads/motherboard-manual-for-acer-aspire-450e-desktop-894680/

Download Acer Support Drivers and Manuals | Predator, Download Acer support drivers by identifying your device first by entering your device serial number, SNID, or model number. acer.com/gb-en/predator/support/drivers-manuals/drivers-and-manuals

AOpen / Acer V115G Motherboard Manual?, Jun 30, 2020 — I have an Aopen / Acer V115G. I've looked extensively for an actual PDF or images of the motherboard manual, but I cannot find anything. <http://vogons.org/viewtopic.php?t=75041>

Is there a motherboard manual for the Acer aspire XC1760 ..., Jan 2, 2023 — I'm trying to find out the model of the motherboard for the Aspire XC1760 desktop pc I've just bought. community.acer.com/en/discussion/677024/is-there-a-motherboard-manual-for-the-acer-aspire-xc1760-desktop-pc

Free Acer Laptop User Manuals | ManualsOnline.com, Office Manuals and free pdf instructions. Find the office and computer equipment manual you need at ManualsOnline. http://office.manualsonline.com/manuals/mfg/acer/acer_laptop_product_list.html

Reference of Download Acer Support Drivers and Manuals

1. Acer Aspire

Acer Aspire (stylised as ?spire or ?SPIRE) is a series of personal computers by Acer Inc. aimed at casual household users. The Aspire series covers both...

2. Access Database Engine continues to support ACE as part of Microsoft Access. Microsoft provides the JET drivers for Microsoft Windows only and third party software support for JET...
3. Nvidia Ion (section Discontinued Windows support) Shuttle XS35GT, fanless system with ION2 and Atom D510 Viewsonic VOT132 ZaReason Ion Breeze Zotac Mag Acer Aspire One 532G Asus Eee PC VX6 Asus Eee PC...
4. Microsoft Access (section Access Services and Web database) Microsoft that combines the relational Access Database Engine (ACE) with a graphical user interface and software-development tools. It is a member of the Microsoft...
5. List of downloadable songs for the Rock Band series are not available for download, some albums are incomplete. For example, the album Blood Sugar Sex Magik is available for download; it contains the song...
6. Comparison of wiki software the time. "Download XWiki". XWiki.org. Retrieved 5 September 2024. "Database Support Strategy (Community.SupportStrategy.DatabaseSupportStrategy): XWiki"...
7. ChromeOS (section Functionality for small and medium businesses and Enterprise) fan. Acer followed quickly after with the C7 Chromebook, priced even lower (\$199), but containing an Intel Celeron processor. One notable way Acer reduced...
8. Avira (category 2020 mergers and acquisitions) program and the virus database current at the time of download. It boots the machine into the antivirus program, then scans for and removes malware, and restores...
9. Snap (software) (section Support) Stephen J. (11 May 2015). "Ubuntu jumps into Internet of Things with Acer, GE, and Microsoft". ZDNet. Retrieved 7 November 2015. Sherman, Jordana. "Snappy... November 15, 2008. "K26RT-N - tomato.groov.pl > download > K26RT-N". tomato.groov.pl. "RT-N66U - Support". www.asus.com. Retrieved 2023-07-10. Koblitz,...
10. List of Asus routers drivers and middleware for application development. In the case of the Raspberry Pi, this includes an application to start the ARM processor(s) and provide...
11. Raspberry Pi (section Driver APIs) Electronic warfare (category Information operations and warfare) unimpeded access to and use of the electromagnetic environment creates vulnerabilities and opportunities for electronic warfare in support of military operations...
12. Information operations and warfare) updating Flash for Android. Flash Player was supported on a select range of mobile and tablet devices, from Acer, BlackBerry 10, Dell, HTC, Lenovo, Logitech...
13. Official website different in Wikidata and Wikipedia) Adobe Flash Player (category Official website different in Wikidata and Wikipedia) of mobile and tablet devices, from Acer, BlackBerry 10, Dell, HTC, Lenovo, Logitech...
14. CPUID (section EAX=4 and EAX=8000001Dh: Cache hierarchy and topology) the big manuals although apparently more up-to-date (at revision 51, dated June 2014) don't mention it. AMD64 Architecture Programmer's Manual Volume 3:...
15. Seventh generation of video game consoles (section HDTV-capable video support and service) consoles and have been released on Blu-ray Disc or are available for download on the PlayStation Network. Both the PlayStation 3 and the Xbox 360 support 1080p...
16. LibreOffice (category Free and open-source software) for a variety of computing platforms, with official support for Microsoft Windows, macOS and Linux and community builds for many other platforms. Ecosystem...

- 17. Nissan Silvia (section Australian and New Zealand versions) (International) - Forums, Guides, Technical Support, Events, Downloads, Classified Adverts and more S12Silvia.com - Blog, Forum, and Tech for the International S12...
- 18. X Window System (section Purpose and abilities) release schedule - see the individual X.Org releases directory for downloads, and the xorg-announce archives or git repositories for details on included...
- 19. Kodi (software) (category Free and open-source Android software) is an Nvidia Ion-based set-top device based on Acer Aspire Revo that comes pre-loaded with XBMC, and the device has a recommended retail price of \$300...
- 20. Smartphone (redirect from Ethical, legal and security issues of Smartphones) screens with support for multi-touch gestures rather than physical keyboards. Most modern smartphones have the ability for users to download or purchase...

How to use PageMaker 7.0 PDF? Click the File menu and select Print. Choose Adobe PDF as your printer and in the PPD drop-down select Acrobat Distiller. (NOTE—the PPD menu only becomes visible after Acrobat is selected as the printer.) Indicate the pages you would like to save or click All to save all pages in the document.

What is the PageMaker 7.0 palette? The control Palette displays options for the paragraph style, alignment, indents, spacing, grid spacing and grid alignment. B. The Color palette: Use the Color Palette in PageMaker to assign spot, process and tints for all objects and text within the document.

How to convert Adobe PageMaker 7.0 to PDF?

Is PageMaker 7.0 compatible with Windows 10? Since Adobe PageMaker 7.0 was designed to work with an older platform, we cannot guarantee that it will run smoothly with Windows 10. You can try the steps on this article about making an older program compatible with a newer version of Windows. For further queries, feel free to post back. Thank you.

Is Adobe PageMaker still used? Adobe has discontinued support for this product.

What is PageMaker latest version? Adobe PageMaker 7.0 was the final version made available.

What is the difference between PageMaker and CorelDRAW? What is the difference between CorelDRAW and PageMaker? CorelDRAW is an old vector-based drawing programme, similar to Adobe Illustrator. PageMaker is an old page-layout programme, similar to Adobe InDesign.

How do I open PageMaker 7 files? Adobe InDesign CS PageMaker Edition can open PageMaker 6.5x-7. x publications and templates. Adobe InDesign CS2 to CS6 can open Adobe PageMaker 6.0-7.

How to open PageMaker file without PageMaker? Open the PageMaker files in InDesign CS6 or an earlier version first, and then save them to native InDesign Format (. indd). Once the files are saved in InDesign format, InDesign can open the files.

What format is Adobe PageMaker? PageMaker supports many graphic file formats. The two graphic file formats most often used for high-end color work are EPS (Encapsulated PostScript) and TIFF. TIFF is the best file format for scanned images or digital paintings because it preserves image quality and reproduces color accurately.

Is Adobe PageMaker 7.0 free? Its Free!! Adobe PageMaker 7.0 software is the ideal page layout program for business, education, and small- and home-office professionals who want to create high-quality publications such as brochures and newsletters.

What is the new name for PageMaker? Adobe InDesign is the replacement for PageMaker.

What are the different versions of PageMaker?

How will you create PDF files using PageMaker?

What is the use of PageMaker PDF? PageMaker is a desktop publishing program. It is used to create documents with a complex layout of text and graphics, such as brochures, pamphlets, newsletters, fliers, reports etc.

How do I import a PDF into PageMaker? Choose File > Import > File. Select the PDF file you want to import and click Import. If the PDF file has more than one page, specify the page number in the Select PDF Page dialog box. Use the slider to display a thumbnail image of the page you want, and then click Select.

How to start PageMaker step by step? Explanation: To begin, launch PageMaker and choose File > New to display the Document Setup dialog box. Select the Wide option button in the Orientation area and deselect the Double-sided check box in the Options area.

Adobe PageMaker 7.0 user guide, 10 Sept 2009 — Adobe PageMaker 7.0 user guide : Adobe Systems : Free Download, Borrow, and Streaming : Internet Archive. archive.org/details/adobepagemaker00adob
Creating a PDF using PageMaker 7 (PC) - CPC Printing & Promotions, Publisher: Adobe, San Jose, Calif., 2001. Genre: Handbooks and manuals. Physical Description: 1 online resource (ix, 412 pages : illustrations. OCLC Number / Unique Identifier: 1023792743. Subjects: Adobe PageMaker · Desktop publishing · Desktop publishing Handbooks, manuals, etc · Éditique Guides, manuels, etc. cpcprintpromo.com/wp-content/uploads/2015/01/MakePDF_PM7PC.pdf

Working with Palettes (PageMaker) - Publishing - Pixel2Life, Book overview?? More than just a getting started manual, the Adobe PageMaker 6.5 Plus User Guide, guides you through the processes with step-by-step instructions and illustrations.[http:// pixel2life.com/viewtutorial/85547/working_with_palettes_pagemaker/#:~:text=The control Palette displays options,and text within the document](http://pixel2life.com/viewtutorial/85547/working_with_palettes_pagemaker/#:~:text=The control Palette displays options,and text within the document)

PMD to PDF Conversion Made Easy - UPDF, Adobe PageMaker 7.0: User Guide ; FREE delivery July 31 - August 5. Details ; January 1, 2001. See all details ; How customer reviews and ratings work. Customer Reviews, including Product Star Ratings help customers to learn more about the product and decide whether it is the right product for them. updf.com/convert-pdf/pmd-to-pdf/

Adobe Pagemaker Problem - Microsoft Community, Get the Adobe PageMaker 7.0 User Guide Paperback at Ubuy Indonesia. Explore the comprehensive guide to master Adobe PageMaker 7.0. Order now! answers.microsoft.com/en-us/windows/forum/all/adobe-pagemaker-problem/0a854997-e40d-430c-b11e-cb3d78186bfd#:~:text=Since Adobe Pagemaker 7 0 was,Thank you

Adobe PageMaker 7.0 user guide, PageMaker Reference Guide. Uploaded by. Raghavendra Prasad. 0 ratings0% found this document useful (0 votes). 15 views. 29 pages. AI-enhanced title. Document ... Starting Adobe PageMaker ! To start Adobe PageMaker, from the Windows 95. Start menu, choose Programs, then choose Adobe PageMaker 6.5. ! From the File Menu ... search.worldcat.org/title/Adobe-PageMaker-7-0-user-guide/oclc/1023792743

Adobe PageMaker 6.5 Plus User Guide, Rent and save from the world's largest eBookstore. Read, highlight, and take notes, across web, tablet, and phone. Go to Google Play Now ». Adobe PageMaker Version 6.5: User Guide. Front Cover. Adobe Systems. Adobe Systems Incorporated, 1996 - Adobe PageMaker - 539 pages. From inside the book. Contents. INTRODUCTION. 1. amazon.com/Adobe-PageMaker-Plus-User-Guide/dp/B000VI5LUK

Adobe PageMaker 7.0: User Guide, 23 May 2023 — Browse through these tables to learn where Adobe PageMaker commands are found in Adobe InDesign CS6. PageMaker File menu commands. PageMaker command ... Adobe InDesign. Visit Adobe Help Center · Learn & Support · Get Started · User Guide · Tutorials. Ask the Community. Post questions and get answers ... amazon.com/Adobe-PageMaker-7-0-User-

Guide/dp/B001ADKJBG

Adobe PageMaker 7.0: Panduan Pengguna Paperback, Adobe PageMaker 7.0 User Guide Book. ubuy co id/id/product/4DVFSXUQM-adobe-pagemaker-7-0-user-guide?srsId=AfmBOopKsZlbVnesBhcUENp2fTxgwtK0t_fyEKp8IX698tw6_INKi38t

PageMaker Reference Guide | PDF | Cursor (User Interface), Frequently Asked Questions About Adobe PageMaker 7.0 Version Retail Upgrade MAC in Box w/User Guide, Quick Ref in My Website ...

ponxxi.sumutprov.go.id is the best online shopping platform where you can buy Adobe PageMaker 7.0 Version Retail Upgrade MAC in Box w/User Guide, Quick Ref from renowned brand(s). scribd com/document/686655745/PageMaker-Reference-Guide

Adobe PageMaker Version 6.5: User Guide, books google

com/books/about/Adobe_PageMaker_Version_6_5.html?id=AI9KAAAAYAAJ

Use PageMaker menu commands in InDesign, helpx adobe com/indesign/using/pagemaker-menu-commands.html

Adobe PageMaker 7.0 User Guide Book, ebay com/itm/155749869683

Adobe PageMaker 7.0 Version Retail Upgrade MAC in Box ..., ponxxi sumutprov go id/adobe-pagemaker-7-0-version-retail-upgrade-mac-in-box-w-user-guide-quick-ref-QVZbTkxfGkdAXEBD

What are the connections on an ATX power supply? Common ATX connectors on a motherboard include the 24-pin main power connector, 4/8-pin CPU power connector, peripheral component interconnect express (PCIe) connectors for graphics cards, serial advanced technology attachment (SATA) power connectors for storage devices, and Molex connectors for legacy peripherals.

How do I activate my ATX power supply?

What pinout is power on on ATX connector? The green wire on ATX plug is the "power on" line and is pin #14. The standard ATX plug will also have seven ground, or black wires.

What are the requirements for ATX power supply? The ATX specification requires the power supply to produce three main outputs, +3.3 V, +5 V and +12 V. Low-power +12 V and +5 VSB (standby) supplies are also required.

Do I need to connect both ATX 12V 8 pin and 4 pin? Generally the 8 Pin CPU needs to be plugged in for the Motherboard to boot up. The 4 pin is needed if you plan to overclock your processor which would need more power. To be safe, if your PSU has a 8 pin and an 4 Pin CPU Power connected I see no harm in connecting both.

Are all 24 pin ATX cables the same? all 24 Pin Motherboard Connectors have the the Exact Same pin out just if some of the Rails are not needed then that pin will just go nowhere but there all still in the same place.

How do I know if my ATX power supply is working?

What is the pwr_ok pin? PWR_OK - a "power good" signal that should be set high by the power supply to indicate that the +5VDC and +3.3VDC outputs are above the undervoltage thresholds of the power supply.

What is the power OK signal in ATX? The ATX specification defines the Power-Good signal as a +5-volt (V) signal generated in the power supply when it has passed its internal self-tests and the outputs have stabilized. This normally takes between 0.1 and 0.5 seconds after the power supply is switched on.

What pins turn on a power supply? To start up a stand alone PSU for either testing purposes or as a bench power supply, we need to short together pin 14 – Green (Power-ON) to one of the common

black wires (ground) which is how the motherboard tells the power supply to turn “ON”.

What is the voltage of the ATX power supply wire? The ATX connector provides multiple wires and power connections for the 3.3 V supply, because it is most sensitive to voltage drop in the supply connections. Another ATX addition was the +5 V SB (standby) rail for providing a small amount of standby power, even when the computer was nominally "off".

How to read connector pinout? How to Read a Pinout? A pinout is normally presented in “parallel” format, which means that each row is for the same connections for each column. To read parallel pinouts, start at the left side of the diagram and then go row by row to the right until you've gone through them all.

How do I enable my ATX power supply? Bend the wire and close up the little green plug from the big ATX plug to any other BLACK plug. Cause the black is the ground. To come off best you should connect the green with black besides the green. Your PSU should power up immendiately!

What are the connections on ATX power supply? The two common ATX connectors are 20 and 24 pins. There are also 20-pin connectors with adjunct 4-pin connectors that can be mated together to function as a 24-pin connector. 24 pins is the newer standard. Chances are that if you have a PSU with a 24-pin connector you will not have a -5V rail.

How to start a PSU?

Can I use only 4 pins to power an 8 pin motherboard? If your CPU supports an 8-pin connector, but your motherboard only has a 4-pin socket, then you can use a 4-pin connector, but you may lose some performance or stability.

What is the difference between ATX 12V power connector and ATX power connector?

Motherboards using ATX12V 2. x use a 24-pin connector. ATX motherboards use a 20-pin connector. One situation where the pin count comes into play is when deciding if a particular power supply works with your system.

What is the voltage of ATX 4 pin? The ATX 4-pin power supply connector is a standard motherboard power connector used to provide +12 VDC to the processor voltage regulator.

How do I know if my PSU is type 3 or 4? The only difference between Type 3 and Type 4 cables is the pinout of the 24-pin ATX cable; all other cables (SATA, PCIe, etc) are the same.

What is the voltage of ATX 24 pin? Below is the complete pinout table for the standard ATX 24-pin 12V power supply connector as of Version 2.2 of the ATX Specification (PDF).

Can I use 24 pin ATX on 20 pin motherboard? If your PSU happens to have a solid 24-pin connector, you can still try to insert it into 20-pin slot with the last four pins hanging over the edge of the board's connector. Alternatively, you can buy a 24 to 20 pin adapter. To check compatibility of a specific model see Intel's database and selector of tested PSU.

What wires turn on ATX power supply? "Classic" ATX Power Supply To make these supplies work, you need to wire the green wire of the motherboard connector to one of the black wires so that it will turn on when you supply power. Alternatively, connect a switch between the green wire and a black wire, and this will be your main RepRap power switch.

How to tell if PSU is bad?

How can you tell the difference between ATX and AT power supply? AT-style computer cases had a power button that is directly connected to the system computer power supply. Pushing the power button kills all the power instantly (whether the Operating System is ready for it or not!) An ATX power supply is typically controlled by an electronic switch.

What is the PS_ON pin on ATX? PS-ON Signal is a pin on a 20-pin or 24-pin ATX-specified power connector used to turn a personal computer power supply unit on/off. The PS_ON pin is normally pulled high in an open-circuit, but will turn on the power supply when it is pulled low, by shorting it to the common signal (COM).

Can a PC work with a 2 power supply? Unless the power supplies are specifically designed to be connected that way (and “regular” PC power supplies are not), it's a very bad idea to try. If there is the slightest difference between the voltages of the two supplies, the higher will source current into the lower, possibly causing damage or overheating.

What is the PG signal on a PSU? The power good signal is a +5 volts signal that is generated by a switching power supply when the supply has stabilized its output voltages and passed all its internal self-tests. The is usually generated after s a period of between 0.1 seconds and 0.5 seconds after turning on the power supply.

What are the connections on a power supply?

Do all ATX power supplies have the same connectors? The two common ATX connectors are 20 and 24 pins. There are also 20-pin connectors with adjunct 4-pin connectors that can be mated together to function as a 24-pin connector. 24 pins is the newer standard. Chances are that if you have a PSU with a 24-pin connector you will not have a -5V rail.

What are the 5 power supply connectors?

What is the 4 pin connector on the power supply? A 4-pin CPU power connector is the standard connector for most CPUs. It has two yellow wires and two black wires, and it plugs into a 4-pin socket on the motherboard. A 4-pin connector can deliver up to 192 watts of power, which is enough for most CPUs.

What is a 24 pin ATX power connector? It is a connector that supplies electricity to a computer system's components. The 24-pin ATX-style connector supplies electricity to the motherboard and other parts of the computer system. As a component of their Advanced Technology Extended (ATX) motherboard specification, it was created by Intel in 1995.

What is an ATX 12V power connector for? The purpose of this new connector is to deliver more +12V current to the motherboard than is available from the standard ATX main power connector. The presence of the 4-pin +12V connector indicates that a power supply is ATX12V. The absence of that connector indicates that it is a standard ATX power supply.

What are the 10 parts of power supply?

How to start an ATX power supply? Bend the wire and close up the little green plug from the big ATX plug to any other BLACK plug. Cause the black is the ground. To come off best you should connect the green with black besides the green. Your PSU should power up immendiatly!

How to test an ATX power supply?

How to turn on ATX power supply without computer?

What are the six 6 parts of the power supply? A modern electric power system has mainly six main components: 1) power plants which generate electric power, 2) transformers which raise or lower the voltages as needed, 3) transmission lines to carry power, 4) substations at which the voltage is stepped down for carrying power over the distribution lines, 5) ...

What is the difference between ATX and Molex? But the term “molex connector” is normally used by PC users for the 4-pin connector used to power optical drives and older HDD. SSD and newer HDD would instead use a SATA power connector. ATX connector is the normal name used for the very big power connector between ATX PSU and the motherboard.

How do you identify a PSU connector to the motherboard? 24/20+4 Motherboard/ATX This is the cable with the larger connector that your PSU includes. Older devices might need a 20-pin, but 24-pin is the norm nowadays. Usually, a 24-pin splits to 20+4 for compatibility reasons. This is the cable that your mainboard needs to be powered.

Can I use only 4 pin in an 8 pin motherboard? Will a 4 pin PSU work on a motherboard that has a 8 pin connection or will I need to buy a new PSU? Kind of. It may work, but it will likely throttle down the CPU due to power.

What is a Molex KK connector? The KK Connector System includes wire-to-board and board-to-board solutions that deliver design flexibility and reliable electrical connectivity. KK connectors are engineered for low-to-mid-power applications, while KK Plus connectors provide quality solutions for high-power needs.

What voltage is molex?

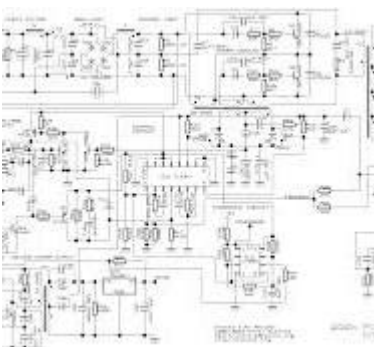


Figure 200W ATX PC POWER SUPPLY

AT and ATX PC computer supplies schematics, Schematics of ATX switching supplies with SG6105. These supplies use bipolar junction transistors (BJT) of NPN type. Schematic of ATX 250W with SG6105 · ATX M- ... danyk cz/s_atx_en.html



Figure ATX Power Supply Schematic | PDF | Power Supply ...

ATX Power Supply Schematic | PDF, This document describes the components and specifications of a

300W ATX power supply. It includes an inrush current limiter, power transformer, EMI filter, base ... scribd.com/doc/149464238/ATX-Power-Supply-Schematic

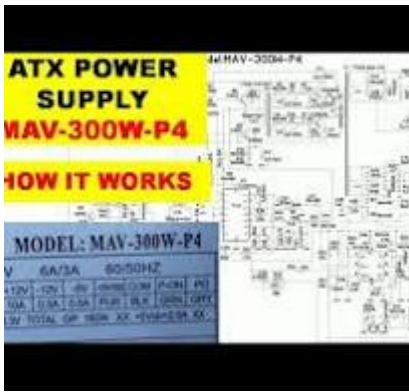


Figure {570} ATX Power Supply Circuit Diagram Explained Green Model 300W / TL494 / WT7510 ATX Supervisor

A Maker's Guide to ATX Power Supplies : 6 Steps, This is meant as a reference guide and so I've tried to avoid extensive explanations. ... use more than just the ATX connector to safely use the PSU's full power. instructables.com/A-Makers-Guide-to-ATX-Power-Supplies/

ATX Power Supply Schematic | PDF, ATX Power Supply Schematic - Free download as PDF File (.pdf), Text File (.txt) or read online for free. INRUSH CURRENT LIMITER INPUT LINE SELECT (SHORT FOR ... id.scribd.com/doc/54576255/ATX-Power-Supply-Schematic

Schematic Diagram of Computer Power Supply Unit ATX, AT ..., Schematic Diagram of Computer Power Supply Unit ATX, AT, laptops. PSU Schematic Diagram, circuit diagram, Service manual. Wiring for ATX power supply connectors ... gadget-manual.com/pc-power-supply/

M2-ATX Manual, 1.1 M2-ATX Logic Diagram. Page 2. <http://mini-box.com>, Cool Embedded PCs. M2-ATX User Guide. Page 2. 1.2 M2-ATX Connection diagram. M2-ATX, top view. Power ... resources.mini-box.com/online/PWR-M2-ATX/PWR-M2-ATX-manual-engl.pdf

ATX power supply, Typical block diagram/structure of an ATX power supply. By Dhaval Dalal ... End-user requirements for higher functionality and higher power levels are ... onsemi.com/site/pdf/BoostingPowerSupply.pdf

Are there different sizes of ATX power supplies & What Happens ... - Lenovo, Read the users manual carefully and keep it for later use. The product could be share to third partie only with the user manual included. The BASIC series is a ... lenovo.com/us/en/glossary/atx-style-connector-computer/#:~:text=Common ATX connectors on a,Molex connectors for legacy peripherals

turning on a power supply without a motherboard #shorts - YouTube, 17 Jul 2011 — Hi, I need a Repair/Service Manual for ATX Power Supply . It will be more helpful if it is a diagram based on Made by China ATX Power supply ... youtube.com/watch?v=SVcXzhLINQU

How To Turn On An ATX Power Supply Without A Motherboard, overclockersclub.com/guides/atx_psu_startup/#:~:text=The green wire on ATX,seven ground%2C or black wires

ATX - Wikipedia, en wikipedia.org/wiki/ATX#:~:text=The ATX specification requires the,standby) supplies are also required

ATX power supplies - user manual, akyga.com/app_products_attachments/promotions/symbol/AK-B1-450/name/ATX_PSU_Basic_manual.pdf

Need ATX Power Supply Repair Manual, edaboard.com/threads/need-atx-power-supply-repair-manual-218905/

Which generation Honda City is best? The 4th Generation City raised the benchmark with a stylish and sporty exterior design, enhanced safety features with advanced high-technology infotainment system.

What is L mode in Honda City? The “L” on the gear shift stands for “Low.” What is the “L” gear used for? Low gear is used when you want the engine power high and the vehicle speed low. This

limits stress on your brakes while allowing you to take advantage of your car's full power in situations like towing and hilly driving.

Is Honda City engine powerful? This petrol engine generates a substantial 121 PS of power and delivers a torque of 145 Nm.

How to start a Honda City manual?

Is Honda City 4th gen better than 5th gen? Refinement - Both 5th & 4th gen are fairly & almost equally refined in day to day usage conditions. However, things do get loud at/above 3000rpm. Mileage - The 5th Gen is slightly better at fuel efficiency. Interior - The 5th Gen is miles ahead, in interior appearance and feel.

Is Honda City 5 star? Interestingly, the fifth-gen Honda City has secured a full 5-star rating in the ASEAN NCAP crash tests. The Jazz and Amaze are also 4-star rated models, which lead us to believe that Honda will continue its run of safe cars with the Elevate.

Can I shift from D to L while driving? You can shift from D gear to L gear. But ensure that the car is in slow speed, say below 30km/h. Then it's effective.

Can you shift from D to B while driving? The answer is yes. You can always shift from D to B while driving.

When to use s and l in automatic? L – Low Gear: This position is typically used for towing or driving on steep inclines. S - Sport: Puts the car into a lower gear so you can have more power and control when accelerating. M - Manual: This position allows you to shift gears manually, giving you more control over your car's speed.

Is iVTEC better than VTEC? Thus, the i-VTEC system provides all the benefits of the traditional VTEC design's high-end open throttle power, while providing better engine operation at low and partial throttle.

Why do people prefer Honda City? 1. Reputation for Reliability and Affordability: The paragraph begins by acknowledging Honda City's long-standing popularity and its appeal as a reliable and affordable executive sedan. This directly addresses the original answer's mention of Honda City's good reputation, reliability, and affordability.

Is Honda City noisy? The Honda City distinguishes itself with a remarkably well-insulated cabin, effectively shielding passengers from unwanted external noise intrusion. The engineering prowess of the vehicle is evident in its ability to maintain a serene and tranquil interior environment.

How do I turn off Honda City? Stopping the Engine You can turn the engine off when the vehicle is completely stopped. Shift to P. Press the ENGINE START/STOP button.

What is accessory mode in Honda City? Accessory or On mode: Press ENGINE START/STOP once without pressing the brake pedal for Accessory mode. Press it again for On mode. Starting the engine: Press and hold the brake pedal or clutch, then press ENGINE START/STOP. Keep your foot firmly on the brake pedal when starting the engine. Turning the vehicle off.

How do I remote start my Honda City?

Which Honda City model is best? Determining the best model in the Honda City lineup largely depends on the preferences and priorities of the driver. However, for those who are enthusiastic about driving and are seeking a blend of performance and features, the V-MT Petrol model stands out as a

compelling choice.

Does Honda City have VTEC? 1.5L DOHC i-VTEC in Honda City is available in 7-speed CVT and 6-speed MT.

What is the top speed of Honda City?

Is Honda City engine good? Honda, maker of the world's best engines. ' Hard as we tried, back when I started reviewing cars this line would invariably creep into every test involving the Honda City. No matter what yardstick we employed for a particular test, the engine always powered the City to the top.

Is Honda City a Japanese car? The Honda City (Japanese: ????????, Hepburn: Honda Shiti) is a subcompact car which has been produced by the Japanese manufacturer Honda since 1981.

Which Honda car is safest?

Is it OK to skip gears while down shifting? Q: "Is it okay to skip gears when downshifting? For example, instead of a 5-4-3-2 brake and downshift, if your transmission allows, could you bypass shifting into 4th and 3rd and just shift into 2nd from 5th at the same point?" A: Yes.

Is it OK to shift from D to N? For those people who choose D gear, they tend to believe that constantly switching gears will shorten the service life of it. Whereas people who choose to shift to N gear, on the other hand, often reason that it is more convenient and safer. In fact, both ways are okay to do so.

Can I shift directly from 1st to 3rd gear? Yes it is recommended that in a modern manual transmission you can skip gears when going up or down. For example; when accelerating you can if required change-up from 1st to 3rd, though 3rd gear may labour due to low engine revs.

Does B mode use more fuel? For normal driving, D (drive) is absolutely fine, but should you need it, position B has the effect of engine-braking handy when descending a steep hill, for example. It's not recommended to leave the car in position B for normal driving, mainly because you'd end up using more fuel than necessary!

Is it better to drive in B or D? B is great in stop-and-go city traffic so you don't have to keep moving your foot back and forth from the brake pedal. D is great for freeway travel because you don't have to keep the accelerator depressed in order to coast.

What happens if you change gears while driving automatically? Avoid changing gears while the car is moving The car will actually stop but you will end up wearing out your automatic transmission band. The transmission band is hard to access making its repair and replacement expensive and time-consuming.

Which is best Honda Civic or Honda City? City vs Civic FAQs Honda City ranks better on user rating. Which car is cheaper City or Civic? Honda City is cheaper than Civic. Honda City starting price is ? 11.86 Lakh in India while Honda Civic's starting price is ? 17.95 Lakh in India.

Which Honda City has VTEC? Honda City ZX VTEC is the top model in the City ZX lineup and the price of City ZX top model is Rs. 8.12 Lakh.

What is the star rating of Honda City 4th generation? 4-star. Honda City 4th Generation 2017 has been awarded 4-star safety rating. 5-star rating is considered the best whereas 1-star rating is considered the worst.

What is the top speed of the Honda City 3rd generation? The third-generation City had fuel-injected SOHC 16-valve D-series engines, namely variations of the D13B and D15B. The original 1.3 L (1,343 cc) D13B produced 95 PS (70 kW) at 6,400 rpm for a claimed top speed of 171 km/h and 0–100 km/h in 11.3 seconds.

Why do people prefer Honda City? 1. Reputation for Reliability and Affordability: The paragraph begins by acknowledging Honda City's long-standing popularity and its appeal as a reliable and affordable executive sedan. This directly addresses the original answer's mention of Honda City's good reputation, reliability, and affordability.

Is Honda City durable? The Honda City is known for its durability, particularly when it's maintained according to the manufacturer's guidelines. Regular maintenance, as per the user manual, is crucial for maximizing the vehicle's lifespan.

Is Honda better than Nissan? Honda Compared to Nissan: Reliability Ranking The Consumer Reports Brand Reliability rankings put Honda in the top five. Nissan was ranked 13th. In addition, the Honda HR-V placed 5th in Consumer Reports individual model ranking for 2021. No Nissan vehicle made it into the top 10.

Is iVTEC better than VTEC? Thus, the i-VTEC system provides all the benefits of the traditional VTEC design's high-end open throttle power, while providing better engine operation at low and partial throttle.

Which model Honda City is best? Determining the best model in the Honda City lineup largely depends on the preferences and priorities of the driver. However, for those who are enthusiastic about driving and are seeking a blend of performance and features, the V-MT Petrol model stands out as a compelling choice.

Which color is best in Honda? Which is the best colour for the Honda City? The best-selling colour of the Honda City is Platinum White Pearl and Meteoroid Grey Metallic.

Is Honda City engine good? Honda, maker of the world's best engines. ' Hard as we tried, back when I started reviewing cars this line would invariably creep into every test involving the Honda City. No matter what yardstick we employed for a particular test, the engine always powered the City to the top.

What is the safety level of Honda City? Recognized by the Global NCAP, the Honda City stands out with a four-star safety rating, affirming its status as a secure sanctuary for every journey. The Honda City's impressive four-star ratings for both adult and child occupant protection reflect its robust design and safety features.

How heavy is Honda City?

What is the top speed acceleration of Honda City?

What is the top speed of Honda City in kmh? The top speed of Honda City is 180 kmph.

Is Honda City 7 speed? What is the transmission type of Honda City? 1.5L DOHC i-VTEC in Honda City is available in 7-speed CVT and 6-speed MT.

Visual Index

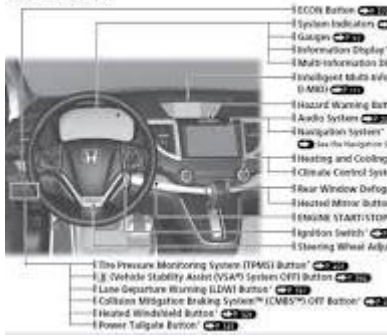


Figure Honda Car Owner's Manual - Service Manual | Honda UAE

City 5th generation - 2022, made by the user which will either prevent the seat belt adjusting devices from operating to remove slack, or prevent the seat belt assembly from being ... guide-cups, which avoid possible damage to the seat surface. Follow the manufacturer's instructions when using the guide-cups, and attach them to the lower. [hondacarindia.com/ownersmanual/webom/eng/city - 5th generation/city 5th generation - 2022 pdf](http://hondacarindia.com/ownersmanual/webom/eng/city-5th-generation/city-5th-generation-2022.pdf)

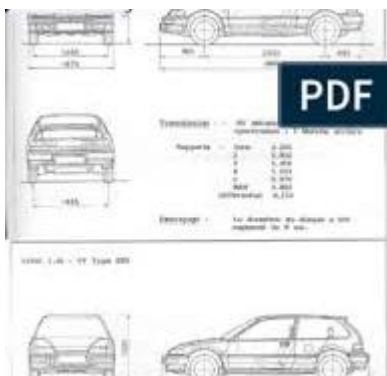


Figure Honda City Idsi Manual | PDF

CITY 2017-2021.pdf, Honda Motor Co., Ltd. reserves the right, however, to discontinue or change specifications or design at any time without notice and without incurring any ... Quick Reference Guide P. 4. Safe Driving P. 31. Instrument Panel P. 89. Controls P. 109. Features P. 189. Driving P. 311. Maintenance P. 355. Handling the ... [honda.com/my/manuals/CITY 2017-2021 pdf](http://honda.com/my/manuals/CITY-2017-2021.pdf)



Figure City 5th generation - 2022

Owners Manual, GET TO KNOW YOUR Honda. Access your Honda owner's manual at anytime within easy reach. MODEL. Select a model. honda.com/my/manuals

City - 5th Generation (2020-21), ... Guide P. 6. Safe Driving P. 33. Instrument Panel P. 95. Controls P. 143. Features P. 235. Driving P. 237. Maintenance P. 345. Handling the Unexpected P. 421 ... user which will either prevent the seat belt adjusting devices from operating to remove slack, or prevent the seat belt assembly from being adjusted to ... [hondacarindia.com/ownersmanual/webom/eng/city - 5th generation/city 5th generation - 2021-22 pdf](http://hondacarindia.com/ownersmanual/webom/eng/city-5th-generation/city-5th-generation-2021-22.pdf)

Honda City, Welcome to the Honda City. Whether you choose the VTi or VTi-L model, the 5-speed manual or 5-speed automatic transmission, one thing will become ... Please refer to your iPod User Guide for

information on iPod firmware updates. ° The Bluetooth word mark is owned by the Bluetooth SIG, Inc. and use of such ... autocatalogarchive com/wp-content/uploads/2016/09/Honda-City-2010-AU pdf

4th Gen Honda City Achieves 2.5 lakh sales, Looking for a digital version of your Honda's owners manual? View detailed information about your vehicle, maintenance tips and warrant information. Select 2001 to present Honda Owners Manuals are available from Honda Canada. Owners Manuals · Schedule Service. hondacarindia com/press-release/4th-gen-honda-city-achieves-25-lakh-sales#:~:text=The 4th Generation City raised,advanced high%2Dtechnology infotainment system

When to Use Low Gear | What does the "L" Mean on a Gear Shift?, The City's 1.5-litre VTEC engine offers optimal performance; delivering higher power curves at mid to high rpm ranges, while maintaining fuel economy. MaxPower 110PS/5,800rpm. Max. Torque 14.6kg-m/4,800rpm. I-DS. landroverwestchester com/manufacture-information/when-to-use-low-gear/#:~:text=The %E2%80%9CL%E2%80%9D on the gear,like towing and hilly driving

What Is The Engine Specification Of The Honda City In India - carandbike, 3 Jun 2022 — Hello Pakwheelers! By the grace of Allah, I recently bought Honda City 2013 and was searching for Owner's Manual. Couldn't find it anywhere on the forums but I got my hands on a Portuguese/Brazilian based manual, so I decided to convert it to English and share it with my fellow pakwheelers! carandbike com/honda-cars/city/faqs/what-is-the-engine-specification-of-the-honda-city-in-india-10128#:~:text=This petrol engine generates a,a torque of 145 Nm

How to start car Honda City 2018 - YouTube, FEATURE GUIDE. OWNER RESOURCES · DEALER LOGIN. Owner Resources. Honda Owners. Download an owner's manual, watch helpful how-to videos and more. Visit mygarage ... This website uses cookies and other tracking technologies to enhance user experience, target ads, and analyze performance and traffic on our website. The ... m youtube com/watch?v=F37zfr236As

Honda Owners Manual Archive, cambridgecentrehonda com/honda-owners-manuals/

Honda-City-2008-MY.pdf, autocatalogarchive com/wp-content/uploads/2016/09/Honda-City-2008-MY pdf

Honda City 2021-present Owners Manual (soft-copy), pakwheels com/forums/t/honda-city-2021-present-owners-manual-soft-copy/3001053

Owner Resources, hondainfocenter com/Owner-Resources/

How to use a Daikin aircon control panel?

What do the symbols on Daikin remote mean? Moon and stars: This is sleep mode and lets you set your preferences for the unit to run at night. Fan in a circle: This is turbo mode and pushes the capacity of the unit to run at full power. Thermometer outside a house: This is the outdoor ambient temperature.

What are the three modes in Daikin AC? Press the MODE button to select the type of operating mode. For cooling only unit, the available modes are: COOL (), DRY () and FAN (). For heat pump unit, the available modes are: AUTO (), COOL (), DRY (), FAN () and HEAT (). The AUTO () mode is unavailable for chilled water system except 4-pipe system.

How do I set my Daikin to cool?

How do I reset the Daikin control panel?

How to adjust a Daikin thermostat?

Is auto mode good for AC? In addition, the auto mode also helps to reduce the running time of the system, which in turn can help to save energy. When the air conditioner is in auto mode, it does not run constantly, but turns on and off automatically as needed to maintain the desired temperature.

Can I run dry mode all day? You should only use dry mode for just one to two hours at a time. Letting your air conditioner run indefinitely while in dry mode can leave you with excessively dry indoor air. This can lead to sneezing, dry eyes, dry skin, and other uncomfortable symptoms.

Which mode is best for AC to save electricity? Sleep mode does help in power consumption. This is because the thermostat of the AC rises by 0.5 or 1 degree every hour in this setting, for a maximum of two hours. And the higher the thermostat, the lower the power consumption. A higher thermostat setting will result in less power being used.

How do you use an air conditioner controller? The temperature buttons are usually up and down arrows with TEMP written by them. Pressing the UP button will increase the set temperature and pressing the DOWN button will decrease the temperature. Most units have a MODE button which will cycle through the air conditioning units' different operations.

How do I use my Daikin air conditioner without a remote? I lost the remote controller. Can I use the air conditioner without it? Operation can be started by pressing the "ON/OFF" button on the main unit. In this case, operation mode and fan speed are set to "automatic."

What is the function of the AC control panel? HVAC Control Panels are also used for heating, ventilation, and air conditioning (HVAC) control. They monitor and control the temperature, humidity, and airflow in a building or facility. This helps to maintain a comfortable and healthy indoor environment while also ensuring energy efficiency.

How do I unlock my Daikin AC control panel? Press and hold the Temperature Up (+) and Down (-) keys simultaneously to unlock the Daikin AC remote. Now verify that the lock icon disappeared from the screen.

WIRED REMOTE CONTROLLER, If another user operates the product in the future, be sure to hand over this manual the new user. Proper Use for Effective Energy Saving. MODEL BRC1E61.[http://assets.jaicrest.com.au/downloads/brochures/daikin/Daikin BRC1E61 Controller Operation Manual pdf](http://assets.jaicrest.com.au/downloads/brochures/daikin/Daikin%20BRC1E61%20Controller%20Operation%20Manual.pdf)

DAIKIN BRC1E61 OPERATION MANUAL Pdf Download, View and Download Daikin BRC1E61 operation manual online. WIRED REMOTE CONTROLLER. BRC1E61 remote control pdf manual download. Also for: Brc1e51a7. manualslib.com/manual/674909/Daikin-Brc1e61.html

WIRED REMOTE CONTROLLER, This manual describes safety precautions required for the use of the product. Read this manual carefully and be sure you understand the information before using ... daikin.com.au/sites/default/files/4P457312-1C_BRC1E63.pdf

Operation Guide Daikin Wall Controller - YouTube, (The remote controller displays the air.ow direction that is set.) • If the Cooling Operation is used when the room temperature is low,, Ž ' ' ... m.youtube.com/watch?v=2-QJ3r9fU38

Common Daikin Air Conditioner Remote Symbols and What They ..., Browse online or download Daikin BRC1E61 Specifications 50 pages. Remote controls Daikin BRC1E61 user manual pdf download free [5.10 MB]. Related for. [hunterconair.com.au/blog/common-daikin-air-conditioner-remote-symbols/#:~:text=Moon and stars%3A This is,is the outdoor ambient temperature](http://hunterconair.com.au/blog/common-daikin-air-conditioner-remote-symbols/#:~:text=Moon%20and%20stars%3A%20This%20is%20the%20outdoor%20ambient%20temperature)

Operational Manual | Daikin, A collection of operation manuals for Daikin Air Conditioning systems. For all enquiries, please phone us today or fill in the enquiry form on our website. [daikinbahrain.com/content/dam/DameaWebsite/ProductGroups/Wall-Mounted/FTN-9-Series/FTN-9 Series - Operational Manual pdf](http://daikinbahrain.com/content/dam/DameaWebsite/ProductGroups/Wall-Mounted/FTN-9-Series/FTN-9%20Series%20Operational%20Manual.pdf)

How to use the modes on your Daikin Heat Pump - YouTube, Manuals and User Guides for Daikin BRC1E61. We have 2 Daikin BRC1E61 manuals available for free PDF download: Operation Manual, Engineering Data ... m.youtube.com/watch?v=d5Nld1cs4es

How to Reset a Daikin AC Wall Controller - Parts Town, Ducted Heating. Ducted gas heating units need to be regularly maintained and serviced by professionals, to ensure its safe operation and optimal performance. partstown.com/cm/resource-center/guides/gd2/how-to-reset-a-daikin-ac-wall-controller

How to use your Daikin heat pump thermostat - YouTube, Install the remote controller in accordance with the instructions in this installation manual. Improper installation may result in water leakage, electric ... youtube.com/watch?v=1C_xAxGBESI

Daikin Navease Control BRC1E61 Operation Manual, 15 Feb 2021 — Daikin BRC1E61 Specification ;

Topics: manualzz, manuals, BRC1E61, Daikin user manuals, Daikin service manuals, BRC1E61 pdf download, BRC1E61 ... snapfreeze.com.au/wp-content/uploads/2016/10/BRC1E62-operation-manual-3P243520-4F.pdf

Daikin BRC1E61 Specifications download pdf - ManyManuals, daikinmanymanuals.com/remotes-controls/brc1e61/specifications-12461

Daikin Air Conditioning Manuals, crispair.com.au/downloads/daikin-air-conditioning-operation-manuals/

Daikin BRC1E61 Manuals, manualslib.com/products/Daikin-Brc1e61-3235318.html

Daikin - BRC1E61 operation manual, idealair.com.au/model/daikin-brc1e61-operation-manual/

WIRED REMOTE CONTROLLER - Daikin AC, daikinac.com/content/assets/Controls/BRC1E52A7-IM.pdf

Daikin BRC1E61 Specification : Free Download, Borrow, ..., archive.org/details/manualzz-id-1275980

What are the Blue microphone settings on snowball? "1" records what is directly aimed at the mic, and reduces ambient noise. This setting is good for recording in the lab, which has some building noise. "2" also records directional sound, but contains more ambient noise. "3" records omnidirectional noise, it will contain much of the sound surrounding the mic.

How do you use the blue snowball iCE microphone? After unpacking your Snowball iCE, mount the microphone on the Blue Snowball iCE desktop tripod stand, or on a standard boom arm or mic stand. Connect the Snowball iCE to your computer with the supplied USB cable—the LED just above the Blue logo will glow red, indicating power has reached the Snowball iCE.

What is a Blue Snowball microphone used for? Well-suited to game streaming, podcasting, Discord calls, vocals and instruments, Snowball iCE's cardioid pickup pattern captures sound sources that are directly in front of the microphone.

What does the 1/2/3 mean on a snowball mic? #1 is a cardioid polar pattern (best for recording speech from a single source), #2 is a cardioid pattern with a -10dB pad (best for recording louder sounds like live music), and #3 is omnidirectional (which captures audio from both sides of the microphone). 5. Record: Press record on your audio software and have fun!

How do I improve my Blue Snowball mic quality?

How do I make my Blue Snowball microphone louder?

Is Blue Snowball mic worth it? While the quality is not perfect, only audiophiles and the like will notice enough to even care about the difference between this and a \$300 radio microphone. Moreover, this is one of the easiest to use and most versatile products on the market at this price range. All things considered: 5 stars.

How to record with a Blue Snowball microphone? Under Start Menu open Control Panel then select Sound. Select Recording tab; ensure Blue Snowball is selected as Working with check mark next to the icon (Disable any alternate mic if necessary). Click on Properties; select the Levels tab, set your input level, click Apply, then OK.

How to mute a Blue Snowball mic? Since there is no physical mute button on the Snowball iCE microphone, you'll need to use the mute function in whichever program you are using the Snowball iCE with.

Is the blue snowball iCE good for singing? The Blue Snowball is a USB microphone, which means it doesn't need a separate interface unit. You plug it straight into your computer. The Snowball iCE version (cardioid pattern) is, \$49.99 and is a great bang for the buck on upgrading your vocal recording quality.

Is Blue Snowball condenser or dynamic? Blue Snowball iCE Condenser Microphone, Cardioid - Black (Renewed)

How to connect Blue Snowball microphone to PC? Setting up Snowball Mic Begin by finding the USB cable that came with the Snowball mic the cable will attach to the rear of the microphone with the other end ending in a USB port that can be plugged into the computer. The mic should be plug and play with the computer recognizing the device.

What is the 3 1 rule for microphones? This rule deals with minimizing the audible phasing problems when summing several microphones to mono. The rule states that the source-to-microphone distance of numerous microphones should be three times the distance between the sound source and the nearest microphone.

Is Blue Snowball omnidirectional? Blue Microphones - Snowball Wired Cardioid and Omnidirectional Condenser USB Vocal Microphone.

Is the Snowball iCE mono or stereo?

What are the Blue Yeti settings? Cycles between Yeti X's four pickup patterns. Simply press the button to cycle through each setting in this order: stereo, omni, cardioid and bidirectional.

What is the little blue microphone? Why is there a blue microphone icon on my iPhone? Now that Voice Control is active, you'll see a blue microphone icon appear next to the clock in the upper-left corner of the display. The appearance of this icon means Voice Control is on and always listening for commands.

What is blue voice mic filter? Blue VO! CE microphone technology delivers real-time voice filters that reduce noise and makes your voice sound richer, cleaner, and more professional. Get studio-quality vocal communications with Blue VO! CE via Logitech G HUB Gaming Software.

How to mute a blue snowball mic? Since there is no physical mute button on the Snowball iCE microphone, you'll need to use the mute function in whichever program you are using the Snowball iCE with.

Blue Snowball Microphone User Guide, USB microphone. User guide. Page 2. The Snowball USB condenser microphone from Blue Microphones is the number one selling USB wired condenser microphone on the ... [adc ucsc edu/tutorials/audio/blue-snowball-microphone-user-guide](https://www.adc.ucsc.edu/tutorials/audio/blue-snowball-microphone-user-guide)

Blue Snowball Microphone User Guide, Manual. View the manual for the Blue Snowball here, for free. This manual comes under the category microphones and has been rated by 1 people with an ... [adc ucsc edu/tutorials/audio/blue-snowball-microphone-user-guide#:~:text=%221%22%22 records what is directly,the sound surrounding the mic](https://www.adc.ucsc.edu/tutorials/audio/blue-snowball-microphone-user-guide#:~:text=%221%22%22%20records%20what%20is%20directly,the%20sound%20surrounding%20the%20mic)

snowballiCE - University of Colorado Boulder, Blue Snowball Microphone. USB condenser microphone. Online directions: <https://goo.gl/iCS8XA>. Quick Start. 1. Mount microphone: On the bottom of the microphone ... [colorado edu/libraries/blue-snowball-ice-microphone-manual#:~:text=After unpacking your Snowball iCE,has reached the Snowball iCE](https://www.colorado.edu/libraries/blue-snowball-ice-microphone-manual#:~:text=After%20unpacking%20your%20Snowball%20iCE,has%20reached%20the%20Snowball%20iCE)

Snowball iCE - Plug & Play USB Microphone - Logitech G, Powered by a custom cardioid condenser capsule, Snowball iCE delivers crystal-clear audio quality that's light-years ahead of your built-in computer microphone. [logitechg com/en-us/products/streaming-gear/snowball-ice-usb-microphone.html#:~:text=Well%2Dsued to game streaming,in front of the microphone](https://www.logitechg.com/en-us/products/streaming-gear/snowball-ice-usb-microphone.html#:~:text=Well%2Dsued%20to%20game%20streaming,in%20front%20of%20the%20microphone)

Blue Snowball Microphone, The Snowball USB microphone family from Blue Microphones is the number one selling line of USB wired condenser microphones on the planet. [dppl org/assets/doc_uploads/Blue-Snowball pdf](https://www.dppl.org/assets/doc_uploads/Blue-Snowball.pdf)

USB microphone User guide, The Snowball features a unique swivel mount located on the bottom center of the mic body. Be sure to mount the Snowball on the Blue Snowball desktop tripod or ... [bhphotovideo](https://www.bhphotovideo.com)

com/lit_files/69400 pdf

User manual Blue Snowball (English - 18 pages), Create a vocal track and select the Blue mic as the input device for that track. • You may need to adjust the Snowball's input level in the control panel if you. manua ls/blue/snowball/manual

Blue Snowball Microphone, 19 Sept 2023 — Manual. View the manual for the Blue Microphones Snowball iCE here, for free. This manual comes under the category microphones and has been ... dppl

org/assets/doc_uploads/Blue-Snowball pdf

snowballiCE, View and Download Blue Snowball user manual online. Blue Microphones Snowball Microphones: User Guide. Snowball microphone pdf manual download. colorado edu/libraries/blue-snowball-ice-microphone-manual

Snowball iCE, bhphotovideo com/lit_files/605693 pdf

8-Ball Manual (PSpreads), content abt com/documents/20112/snowball_manual pdf

Snowball Manual R9_13 English.indd, music fsu edu/wp-content/uploads/2022/07/Snowball_Manual_R9_13_English pdf

User manual Blue Microphones Snowball iCE (English), manua ls/blue-microphones/snowball-ice/manual

BLUE SNOWBALL MICROPHONE USER MANUAL, manualslib com/manual/217322/Blue-Snowball.html