

# ADOBE PHOTOSHOP USER GUIDE DOWNLOAD IN HINDI

## FAQs about ADOBE PHOTOSHOP USER GUIDE DOWNLOAD IN HINDI

### How to download Photoshop CS6?

**How do I download Adobe Photoshop for free?** How can I get Photoshop for free? New customers can start a 7-day free trial of Photoshop any time. Click Start Free Trial and select For Individuals, For Students and Teachers or For Teams and Businesses. Select your plan and how you'd like to be billed.

**What is the use of Photoshop CS3?** The software is used to edit images using a powerful layer-based approach. It also features smart filters to add artistic effects, powerful color and curve controls, digital camera raw image support and text tools.

### How to use Photoshop step by step?

**Is Photoshop CS6 old?** Adobe Photoshop CS6 was released in May 2012, one year after the release of CS5. 1 and around two years after the release of the original CS5 software. Adobe CS6 brought a huge number of changes to the Photoshop software including an entirely redesigned UI.

**Is Adobe Photoshop CS6 still available?** 1 Correct answer This is not possible and at this point all activation for CS6 is being phased out. Short of signing up for CC you have no options if you want to stick with Adobe.

**Which version of Photoshop is free?** There isn't a free version of Photoshop on the web, however you can try out some of Photoshop's most popular tools and uses online with the help of guided tutorials without creating an Adobe account.

**Is Photoshop 100% free?** All options give you access to all the latest Photoshop features and updates, Frame.io for Creative Cloud, an Adobe Express Premium plan and 100 GB of cloud storage. You can start with a seven-day free trial of Photoshop or see plans and pricing.

**Which Photoshop version is best?** Current release version of Photoshop CC is normally the best. However, there are few things Photoshop had omitted thru its history, and sometimes you would need to use omitted feature.

**Which is better CS3 or CS6?** CS6 will have more features, including more tools for video. but you can still do a lot with CS3. CS3 was released in 2007. Being that old you would want to check to make sure it will work with your operating system.

**Why is Photoshop CS2 free?** It is categorically not free. It is for people who already own it to reinstall it as the activation servers are down.

**Can I still use Photoshop CS3?** Re: I want to still use my CS3 software [CS3 is dead, locked] Unfortunately, Adobe no longer has that available. If you want Adobe product support now, you really must get modern software or subscribe to a paid Creative Cloud Plan. Your choice.

**Can I learn Photoshop by myself?** Learn on your own. Learn about tools one by one, and then try to know about options as much as you can. you can find many tutorials on youtube. Most importantly do some Poster's, Banner's,try to apply what have you learnt,doing Projects will make you learn with more pace.

**What are the basics of Adobe Photoshop?**

**How to learn Photoshop for free?**

**Which Photoshop is better CC or CS6?** Photoshop cs6 also has some tools for sharpening an image. To design advanced photoshop editing, professional photo editors use those tools. Adobe Photoshop CC is the better option for beginner photo editors to reduce noises and make the image sharp.

**Why is Photoshop expensive?** Adobe products are expensive because they are some of the most advanced and popular products in their field. They also have high subscription fees, as well as regular updates and new features. This helps to ensure that users always have the latest version and access to the best features.

**Is Photoshop CS6 good enough?** they are still good tools. but whether it's worth using and learning depends on exactly what you're going to use it for. as an example, flash cs6 is worthless for online apps. photoshop cs6 still works great for editing photos.

**How to activate Photoshop for free?** Download your free trial Step 1: Navigate to the Adobe website and select Start free trial or Buy now. Adobe will then offer you different free trial options. All of them offer Photoshop and all of them offer a seven-day free trial.

**Can my PC run Photoshop CS6?** CS6 Design Standard System Requirements Photoshop CS6 and Illustrator CS6 run 64-bit native on Mac OS X, Microsoft® Windows Vista®, and Windows® 7 platforms. They can also run in 32-bit mode on Windows platforms, including Windows XP (although some GPU-enabled features are not supported on XP).

**How do I install Photoshop CS6?** 1 Correct answer. Dowload the platform you have a serial for. Uninstall all Creative cloud software download Adobe cleaner and run it, Then install CS6 with your Cs6 serial you will also need your CS5 serial if your CS6 serial is an upgrade from CS5.

**How do I get original Photoshop for free?**

**How to buy Photoshop permanently?** Can I buy Photoshop outright? No. Photoshop is available only through a Creative Cloud subscription that you pay for either monthly or annually. You can subscribe to Photoshop alone or choose a plan with multiple apps.

**Which photo editor is 100% free?** Canva and Adobe Creative Cloud Express are the top free photo editing software.

**Can I still download CS6?** If you purchased Creative Suite 6 from Adobe or registered it, you can download it from your account.

**How to get free CS6?** There was and is no such thing. A “free and full version of CS6” is pirated, and illegal. You can get (and could get at the time) 30 day trial licenses for Adobe products.

**Can I install Adobe CS6 on Windows 10?** CS6 runs fine on Windows 10. PS 6 is very old and may not be able to handle the large size disk we use these days. If you tried windows 10 make older apps or programs compatible and could not get it to work. Try creating small Disk Partitions and install PS 6 in one see if it will run.

## **How do I activate Photoshop CS6 offline?**

**How old is Adobe CS6?** The last of the Creative Suite versions, Adobe Creative Suite 6 (CS6), was launched at a release event on April 23, 2012, and released on May 7, 2012.

**Is Photoshop CS6 good enough?** they are still good tools. but whether it's worth using and learning depends on exactly what you're going to use it for. as an example, flash cs6 is worthless for online apps. photoshop cs6 still works great for editing photos.

**Is CS6 better than CS5?** Photoshop CS6 Overview This makes it less than two years old today. By sheer numbers, CS6 includes 61% more features than CS5. It also adds a brand new user-interface, offers improved performance, and a bunch of new tools that will help you work faster, smarter.

**How do I download Photoshop CS6 on my PC?** Download the platform you have a serial for. Uninstall all Creative cloud software download Adobe cleaner and run it, Then install CS6 with your CS6 serial you will also need your CS5 serial if your CS6 serial is an upgrade from CS5.

**Can I get a free version of Photoshop?** Are the AI editing features in Photoshop free to use? Photoshop is not free, but you can sign up for a free trial and try the full version of the app, including all generative AI photo editing features like Generative Fill and Generative Expand, for seven days.

## **How can I download Photoshop for free without paying?**

**Can I still use Adobe Photoshop CS6?** You can continue to use CS6 (released in 2012) as long as you keep it on hardware and a macOS that supports it. You can continue running it on your old computer and old macOS as long as they both work. Software and hardware has moved on, and Apple has made changes in their OS and hardware that do not support CS6.

**Can my PC run Photoshop CS6?** CS6 Design Standard System Requirements Photoshop CS6 and Illustrator CS6 run 64-bit native on Mac OS X, Microsoft® Windows Vista®, and Windows® 7 platforms. They can also run in 32-bit mode on Windows platforms, including Windows XP (although some GPU-enabled features are not supported on XP).

**How do I activate Adobe CS6?** Switch to an online computer and navigate to [www.adobe.com/go/getactivated](http://www.adobe.com/go/getactivated). Click Offline Activation. Sign in with your Adobe ID. Enter your Request code and click Generate.

**How do I know if Photoshop cs6 is activated?** in ps, click help. if you see activate grayed out and deactivate clickable, it's activated.

**Can I use Photoshop without downloading it?** Photoshop on the web is a versatile digital imaging and design application that is available directly in your browser.

**Can I use Photoshop offline for free?** You must connect to the Internet when you want to install Adobe Creative Cloud apps, such as Photoshop and Illustrator. Once the apps are installed on your computer, you don't need an ongoing Internet connection to use the apps.

Adopting Digital Book Trends:

1. Incorporation of Interactive Media Elements
2. Interactive and Playful Digital Books

Navigating Adobe photoshop user guide download in hindi Formats

1. EPUB, Portable Document Format, MOBI, and Additional Formats

2. Adobe photoshop user guide download in hindi Suitability with Gadgets
3. Adobe photoshop user guide download in hindi Enhanced Electronic Book Features

#### Finding Adobe photoshop user guide download in hindi

1. Complimentary and Premium eBooks
2. Adobe photoshop user guide download in hindi Free Domain eBooks
3. Adobe photoshop user guide download in hindi Membership Services
4. Cost-effective Options

#### Sourcing Reliable Information on Adobe photoshop user guide download in hindi

1. Fact-Checking eBook Information
2. Distinguishing Credible Sources

#### Supporting Lifelong Growth

1. Using Digital Books for Personal Growth
2. Exploring Educational Digital Books

#### Remaining Involved with Adobe photoshop user guide download in hindi

1. Joining Online Reading Communities
2. Participating in Virtual Book Clubs
3. Keeping Up with Authors and Presses of Adobe photoshop user guide download in hindi

#### Picking the Right Digital Book Provider

1. Well-known eBook Platforms
2. Features to Look for in a Adobe photoshop user guide download in hindi
3. Intuitive Interface

#### Investigating eBook Recommendations from Adobe photoshop user guide download in hindi

1. Personalized Recommendations
2. Reader Reviews and Ratings of Adobe photoshop user guide download in hindi
3. Popular Lists

#### Boosting Your Reading Experience

1. Adjustable Fonts and Text Sizes of Adobe photoshop user guide download in hindi
2. Marking and Note-Taking in Adobe photoshop user guide download in hindi
3. Immersive Elements in Adobe photoshop user guide download in hindi

#### Balancing Digital Books and Hardcopy Books

1. Adobe photoshop user guide download in hindi Benefits of a Digital Collection
2. Building a Diverse Reading Collection of Adobe photoshop user guide download in hindi

#### Cultivating a Reading Routine

1. Setting Book Goals for Adobe photoshop user guide download in hindi
2. Allocating Dedicated Book Time

#### Comprehending the Electronic Book Industry

1. The Rise of eBooks
2. Advantages of Digital Books Over Traditional Books

#### Identifying Adobe photoshop user guide download in hindi

1. Discovering Different Genres
2. Evaluating Fiction vs. Non-Fiction
3. Determining Your Literary Goals



Figure

**photoshop\_reference.pdf**, You can find web and PDF versions of the Photoshop manual on the Photoshop User Guide page. To learn more about the latest features in Photoshop, read the ... If you have an Adobe Creative Cloud plan that already includes Photoshop, you can simply download Photoshop on the iPad for a limited time without ... [helpx.adobe.com/pdf/photoshop\\_reference.pdf](https://helpx.adobe.com/pdf/photoshop_reference.pdf)



Figure

**Adobe Photoshop CS6 - Windows Install - Oklahoma Christian University**, ... user-defined gradients, colors, and patterns. To later revise stroke and fill settings, simply select the object layer, and then select the Path Selection ... Hindi, and Farsi. By default, in Arabic versions of Photoshop, Hindi digits are auto-selected; in Hebrew versions, Arabic digits are selected. However ... [support.oc.edu/hc/en-us/articles/203196173-Adobe-Photoshop-CS6-Windows-Install](https://support.oc.edu/hc/en-us/articles/203196173-Adobe-Photoshop-CS6-Windows-Install)

**Photoshop free trial & free download - Adobe**, Adobe® Photoshop® CS3 User Guide for Windows® and Mac OS. If this guide is distributed with software that includes an end user agreement, this guide ... download royalty-free images by way of Adobe Stock Photos. • Work with Adobe Version Cue®-managed assets. • Perform automated tasks, such as batch commands ... [adobe.com/in/products/photoshop/free-trial-download.html#:~:text=How can I get Photoshop for free%3F,d like to be billed](https://adobe.com/in/products/photoshop/free-trial-download.html#:~:text=How can I get Photoshop for free%3F,d like to be billed)

**Adobe Photoshop CS3 Image Editing Software for Windows - B&H Photo**, Welcome to the 'Photoshop Training Tutorials' playlist on the 'Husain Sir' YouTube channel! ? Overview: Whether you're a complete beginner or an advanced user looking to refine your skills, this comprehensive tutorial series in Hindi and Urdu, hosted by Husain Sir, is your gateway to mastering ... [bhphotovideo.com/c/product/487443-REG/Adobe\\_23102480\\_Photoshop\\_CS3\\_Image\\_Editing.html#:~:text=The software is used to,image support and text tools](https://bhphotovideo.com/c/product/487443-REG/Adobe_23102480_Photoshop_CS3_Image_Editing.html#:~:text=The software is used to,image support and text tools)

**How to use Photoshop for beginners - learn the basics - Adobe**, 24 Mar 2022 — The Ruler and Grid Settings in Hindi | Photoshop Tutorial in Hindi This course covers the basics of Adobe Photoshop software in Hindi language. It starts by introducing the user to the Adobe Photoshop interface and panels. Then it goes on to cover various tools available in the software. It also ... [adobe.com/products/photoshop/how-to-use.html](https://adobe.com/products/photoshop/how-to-use.html)

**The Evolution Of Photoshop: 25 Years In The Making - FastPrint**, 7 days ago — Use this guide to learn how the Photoshop ecosystem can help you dream bigger, access and create gorgeous images, rich graphics, and incredible art on the surface you want to -- desktop, web, and iPad. Grab inspiration from all around you and start experimenting. Start with this user guide, visit each ... [fastprint.co.uk/blog/the-evolution-of-photoshop-25-years-in-the-making.html#:~:text=Adobe Photoshop CS6 was released,inclusing an entirely redesigned UI](https://fastprint.co.uk/blog/the-evolution-of-photoshop-25-years-in-the-making.html#:~:text=Adobe Photoshop CS6 was released,inclusing an entirely redesigned UI)

**Photoshop cs6 creative suite 6 standard - Adobe Community**, The course comprises a video tutorial in Hindi that teaches how to use Photoshop for designing logos, flyers, etc. professionally. By joining the course, you can learn Adobe Photoshop completely and work as a professional creative designer in reputed companies. The top positions and their salary data is as under ... [community.adobe.com/t5/photoshop-ecosystem-discussions/photoshop-cs6-creative-suite-6-standard/td-p/13487831#:~:text=1 Correct answer&text=This is not possible and,want to stick with Adobe](https://community.adobe.com/t5/photoshop-ecosystem-discussions/photoshop-cs6-creative-suite-6-standard/td-p/13487831#:~:text=1 Correct answer&text=This is not possible and,want to stick with Adobe)

**Free Photoshop Online Trial - Official Photoshop on the web - Adobe**, Learn Photoshop From Experts. Smarto Systems provide step by step Adobe photoshop tutorials for beginners in Hindi. Learn Photoshop from experts at Smarto Systems. Download Complete Course Now! If you are thinking to learn Adobe Photoshop, then you can go ahead with Smarto Systems without any further thought. [adobe.com](https://adobe.com)

com/in/products/photoshop/online.html#:~:text=There isn't a free,without creating an Adobe account  
**Official Adobe Photoshop - Leading AI photo & design software**, Download Adobe Photoshop Free .  
Free and safe download. Download the latest version of the top software, games, programs and apps in 2024.  
adobe.com/in/products/photoshop.html#:~:text=All options give you access,or see plans and pricing  
**Which version of Photoshop is better? - Quora**, quora.com/Which-version-of-Photoshop-is-better#:~:text=Current release version of Photoshop,need to use omitted feature  
**Adobe Photoshop Help**, help.adobe.com/archive/en/photoshop/cs6/photoshop\_reference.pdf  
**Photoshop Full Tutorial in Hindi for Beginners (????) - Every ...**, youtube.com/watch?v=FqhBRA8kq8M  
**Photoshop CS3 User Guide**, help.adobe.com/archive/en\_US/photoshop/cs3/photoshop\_cs3\_help.pdf  
**Photoshop Tutorial in Hindi / Urdu Training**, youtube.com/playlist?list=PLw9zMOoodWb6\_WSCRbQOEHfiA6cezhWpd  
**Free Course: Photoshop Tutorial in Hindi from YouTube**, classcentral.com/course/youtube-photoshop-tutorial-in-hindi-54001  
**Adobe Photoshop in 20 Minutes | Photoshop User Should ...**, youtube.com/watch?v=yWZsKfllJFg  
**Welcome to the Photoshop User Guide**, helpx.adobe.com/photoshop/user-guide.html  
**Learn Graphic Design With PhotoShop in Hindi | Free Course**, learnvern.com/course/photoshop-tutorial-in-hindi  
**Photoshop Tutorials in Hindi - Learn Photoshop from Experts**, smartosystems.in/learn-photoshop-from-experts/  
**Adobe Photoshop Download Free - Last Version**, moosoft.com/software/adobe-photoshop/  
**Download Adobe Photoshop Free - Best ...**, en.softonic.com/downloads/adobe-photoshop-free  
**Photoshop free trial & free download | Official ...**, adobe.com/in/products/photoshop/free-trial-download.html  
**Download and install Creative Suite 6 - Adobe Support**, helpx.adobe.com/creative-suite/kb/cs6-install-instructions.html#:~:text=If you purchased Creative Suite,download it from your account  
**How to download Adobe Photoshop CS6 for free on a computer - Quora**, quora.com/How-do-I-download-Adobe-Photoshop-CS6-for-free-on-a-computer#:~:text=There was and is no,trial licenses for Adobe products  
**Photoshop 6 won't run on Windows 10 on new compute... - 10865385**, community.adobe.com/t5/photoshop-ecosystem-discussions/photoshop-6-won-t-run-on-windows-10-on-new-computer/td-p/10865385#:~:text=CS6 runs fine on Windows,see if it will run  
**Re: Offline Activation problems with Photoshop CS6... - Adobe Community**, community.adobe.com/t5/get-started/offline-activation-problems-with-photoshop-cs6-ver-13-ls16/m-p/6910321

## Reference of How to download Photoshop CS6?

1. Adobe Photoshop of Photoshop was Photoshop CS and the ninth was Photoshop CS2. Photoshop CS3 through CS6 were also distributed in two different editions: Standard and...
2. Adobe Creative Suite (redirect from CS6) original (PDF) on 2012-07-08. Retrieved 2011-10-02. "Audition Photoshop CS6 Beta". Labs (download). Adobe. Archived from the original on 2012-03-22. Retrieved...
3. Adobe Inc. multimedia/video, motion pictures, and print. Its flagship products include Adobe Photoshop image editing software; Adobe Illustrator vector-based illustration software;...
4. Adobe Flash (redirect from Alternatives to Adobe Flash) available separately was also adopted by Adobe as a replacement for Wallaby in CS6. Unlike Wallaby, which was a standalone program, the "Toolkit for CreateJS"...

- 5. Adobe InCopy versions were included in versions of the Creative Suite up until version CS6. Since 2013 newer versions have been made available only through Adobe Creative...
- 6. CinemaDNG raw video Kopriva, Todd (28 September 2012). "CinemaDNG in After Effects CS6 (and elsewhere)". Adobe Systems. "Premier Pro CC". 8 August 2014. IRIDAS...
- 7. Project Naptha Wollman, Dana (22 March 2012). "Adobe unveils Photoshop CS6 beta with redesigned UI and 65 new features, download it for free today". Engadget. Retrieved 30...

**How to use PageMaker 7.0 PDF?** Click the File menu and select Print. Choose Adobe PDF as your printer and in the PPD drop-down select Acrobat Distiller. (NOTE—the PPD menu only becomes visible after Acrobat is selected as the printer.) Indicate the pages you would like to save or click All to save all pages in the document.

**What is the PageMaker 7.0 palette?** The control Palette displays options for the paragraph style, alignment, indents, spacing, grid spacing and grid alignment. B. The Color palette: Use the Color Palette in PageMaker to assign spot, process and tints for all objects and text within the document.

**How to convert Adobe PageMaker 7.0 to PDF?**

**Is PageMaker 7.0 compatible with Windows 10?** Since Adobe PageMaker 7.0 was designed to work with an older platform, we cannot guarantee that it will run smoothly with Windows 10. You can try the steps on this article about making an older program compatible with a newer version of Windows. For further queries, feel free to post back. Thank you.

**Is Adobe PageMaker still used?** Adobe has discontinued support for this product.

**What is PageMaker latest version?** Adobe PageMaker 7.0 was the final version made available.

**What is the difference between PageMaker and CorelDRAW?** What is the difference between CorelDRAW and PageMaker? CorelDRAW is an old vector-based drawing programme, similar to Adobe Illustrator. PageMaker is an old page-layout programme, similar to Adobe InDesign.

**How do I open PageMaker 7 files?** Adobe InDesign CS PageMaker Edition can open PageMaker 6.5x-7. x publications and templates. Adobe InDesign CS2 to CS6 can open Adobe PageMaker 6.0-7.

**How to open PageMaker file without PageMaker?** Open the PageMaker files in Indesign CS6 or an earlier version first, and then save them to native Indesign Format (. indd ). Once the files are saved in Indesign format, Indesign can open the files.

**What format is Adobe PageMaker?** PageMaker supports many graphic file formats. The two graphic file formats most often used for high-end color work are EPS (Encapsulated PostScript) and TIFF. TIFF is the best file format for scanned images or digital paintings because it preserves image quality and reproduces color accurately.

**Is Adobe PageMaker 7.0 free?** Its Free!! Adobe PageMaker 7.0 software is the ideal page layout program for business, education, and small- and home-office professionals who want to create high-quality publications such as brochures and newsletters.

**What is the new name for PageMaker?** Adobe InDesign is the replacement for PageMaker.

**What are the different versions of PageMaker?**

## How will you create PDF files using PageMaker?

**What is the use of PageMaker PDF?** PageMaker is a desktop publishing program. It is used to create documents with a complex layout of text and graphics, such as brochures, pamphlets, newsletters, fliers, reports etc.

**How do I import a PDF into PageMaker?** Choose File > Import > File. Select the PDF file you want to import and click Import. If the PDF file has more than one page, specify the page number in the Select PDF Page dialog box. Use the slider to display a thumbnail image of the page you want, and then click Select.

**How to start PageMaker step by step?** Explanation: To begin, launch PageMaker and choose File > New to display the Document Setup dialog box. Select the Wide option button in the Orientation area and deselect the Double-sided check box in the Options area.

**Adobe PageMaker 7.0 user guide**, 10 Sept 2009 — Adobe PageMaker 7.0 user guide : Adobe Systems : Free Download, Borrow, and Streaming : Internet Archive. [archive.org/details/adobepagemaker00adob](https://archive.org/details/adobepagemaker00adob)

**Creating a PDF using PageMaker 7 (PC) - CPC Printing & Promotions**, Publisher: Adobe, San Jose, Calif., 2001. Genre: Handbooks and manuals. Physical Description: 1 online resource (ix, 412 pages : illustrations. OCLC Number / Unique Identifier: 1023792743. Subjects: Adobe PageMaker · Desktop publishing · Desktop publishing Handbooks, manuals, etc · Éditique Guides, manuels, etc. [cpcprintpromo.com/wp-content/uploads/2015/01/MakePDF\\_PM7PC.pdf](http://cpcprintpromo.com/wp-content/uploads/2015/01/MakePDF_PM7PC.pdf)

**Working with Palettes (PageMaker) - Publishing - Pixel2Life**, Book overview?? More than just a getting started manual, the Adobe PageMaker 6.5 Plus User Guide, guides you through the processes with step-by-step instructions and illustrations. [http://pixel2life.com/viewtutorial/85547/working\\_with\\_palettes\\_pagemaker/#:~:text=The control Palette displays options, and text within the document](http://pixel2life.com/viewtutorial/85547/working_with_palettes_pagemaker/#:~:text=The control Palette displays options, and text within the document)

**PMD to PDF Conversion Made Easy - UPDF**, Adobe PageMaker 7.0: User Guide ; FREE delivery July 31 - August 5. Details ; January 1, 2001. See all details ; How customer reviews and ratings work. Customer Reviews, including Product Star Ratings help customers to learn more about the product and decide whether it is the right product for them. [updf.com/convert-pdf/pmd-to-pdf/](http://updf.com/convert-pdf/pmd-to-pdf/)

**Adobe Pagemaker Problem - Microsoft Community**, Get the Adobe PageMaker 7.0 User Guide Paperback at Ubuy Indonesia. Explore the comprehensive guide to master Adobe PageMaker 7.0. Order now! [answers.microsoft.com/en-us/windows/forum/all/adobe-pagemaker-problem/0a854997-e40d-430c-b11e-cb3d78186bfd#:~:text=Since Adobe Pagemaker 7 0 was,Thank you](https://answers.microsoft.com/en-us/windows/forum/all/adobe-pagemaker-problem/0a854997-e40d-430c-b11e-cb3d78186bfd#:~:text=Since Adobe Pagemaker 7 0 was,Thank you)

**Adobe PageMaker 7.0 user guide**, PageMaker Reference Guide. Uploaded by. Raghavendra Prasad. 0 ratings0% found this document useful (0 votes). 15 views. 29 pages. AI-enhanced title. Document ... Starting Adobe PageMaker ! To start Adobe PageMaker, from the Windows 95. Start menu, choose Programs, then choose Adobe PageMaker 6.5. ! From the File Menu ... [search.worldcat.org/title/Adobe-PageMaker-7-0-user-guide/oclc/1023792743](http://search.worldcat.org/title/Adobe-PageMaker-7-0-user-guide/oclc/1023792743)

**Adobe PageMaker 6.5 Plus User Guide**, Rent and save from the world's largest eBookstore. Read, highlight, and take notes, across web, tablet, and phone. Go to Google Play Now ». Adobe PageMaker Version 6.5: User Guide. Front Cover. Adobe Systems. Adobe Systems Incorporated, 1996 - Adobe PageMaker - 539 pages. From inside the book. Contents. INTRODUCTION. 1. [amazon.com/Adobe-PageMaker-Plus-User-Guide/dp/B000VI5LUK](http://amazon.com/Adobe-PageMaker-Plus-User-Guide/dp/B000VI5LUK)

**Adobe PageMaker 7.0: User Guide**, 23 May 2023 — Browse through these tables to learn where Adobe PageMaker commands are found in Adobe InDesign CS6. PageMaker File menu commands. PageMaker command ... Adobe InDesign. Visit Adobe Help Center · Learn & Support · Get Started · User Guide · Tutorials. Ask the Community. Post questions and get answers ... [amazon.com/Adobe-PageMaker-7-0-User-Guide/dp/B001ADKJBG](http://amazon.com/Adobe-PageMaker-7-0-User-Guide/dp/B001ADKJBG)

**Adobe PageMaker 7.0: Panduan Pengguna Paperback**, Adobe PageMaker 7.0 User Guide Book. [ubuy.co.id/id/product/4DVFSXUQM-adobe-pagemaker-7-0-user-guide?srsId=AfmBOopKsZlVnesBhcUENp2fTxgwtK0t\\_fyEKp8IX698tw6\\_INKi38t](http://ubuy.co.id/id/product/4DVFSXUQM-adobe-pagemaker-7-0-user-guide?srsId=AfmBOopKsZlVnesBhcUENp2fTxgwtK0t_fyEKp8IX698tw6_INKi38t)



**PageMaker Reference Guide | PDF | Cursor (User Interface)**, Frequently Asked Questions About Adobe PageMaker 7.0 Version Retail Upgrade MAC in Box w/User Guide, Quick Ref in My Website ...

ponxxi.sumutprov.go.id is the best online shopping platform where you can buy Adobe PageMaker 7.0 Version Retail Upgrade MAC in Box w/User Guide, Quick Ref from renowned brand(s). scribd.com/document/686655745/PageMaker-Reference-Guide

**Adobe PageMaker Version 6.5: User Guide**, books google.com/books/about/Adobe\_PageMaker\_Version\_6\_5.html?id=AI9KAAAAYAAJ

**Use PageMaker menu commands in InDesign**, helpx.adobe.com/indesign/using/pagemaker-menu-commands.html

**Adobe PageMaker 7.0 User Guide Book**, ebay.com/itm/155749869683

**Adobe PageMaker 7.0 Version Retail Upgrade MAC in Box ...**, ponxxi.sumutprov.go.id/adobe-pagemaker-7-0-version-retail-upgrade-mac-in-box-w-user-guide-quick-ref-QVZbTkxfGkdAXEBD

**What are the connections on an ATX power supply?** Common ATX connectors on a motherboard include the 24-pin main power connector, 4/8-pin CPU power connector, peripheral component interconnect express (PCIe) connectors for graphics cards, serial advanced technology attachment (SATA) power connectors for storage devices, and Molex connectors for legacy peripherals.

**How do I activate my ATX power supply?**

**What pinout is power on on ATX connector?** The green wire on ATX plug is the "power on" line and is pin #14. The standard ATX plug will also have seven ground, or black wires.

**What are the requirements for ATX power supply?** The ATX specification requires the power supply to produce three main outputs, +3.3 V, +5 V and +12 V. Low-power +12 V and +5 VSB (standby) supplies are also required.

**Do I need to connect both ATX 12V 8 pin and 4 pin?** Generally the 8 Pin CPU needs to be plugged in for the Motherboard to boot up. The 4 pin is needed if you plan to overclock your processor which would need more power. To be safe, if your PSU has a 8 pin and an 4 Pin CPU Power connected I see no harm in connecting both.

**Are all 24 pin ATX cables the same?** all 24 Pin Motherboard Connectors have the the Exact Same pin out just if some of the Rails are not needed then that pin will just go nowhere but there all still in the same place.

**How do I know if my ATX power supply is working?**

**What is the pwr\_ok pin?** PWR\_OK - a "power good" signal that should be set high by the power supply to indicate that the +5VDC and +3.3VDC outputs are above the undervoltage thresholds of the power supply.

**What is the power OK signal in ATX?** The ATX specification defines the Power-Good signal as a +5-volt (V) signal generated in the power supply when it has passed its internal self-tests and the outputs have stabilized. This normally takes between 0.1 and 0.5 seconds after the power supply is switched on.

**What pins turn on a power supply?** To start up a stand alone PSU for either testing purposes or as a bench power supply, we need to short together pin 14 – Green (Power-ON) to one of the common black wires (ground) which is how the motherboard tells the power supply to turn "ON".

**What is the voltage of the ATX power supply wire?** The ATX connector provides multiple wires and power connections for the 3.3 V supply, because it is most sensitive to voltage drop in the supply

connections. Another ATX addition was the +5 V SB (standby) rail for providing a small amount of standby power, even when the computer was nominally "off".

**How to read connector pinout?** How to Read a Pinout? A pinout is normally presented in "parallel" format, which means that each row is for the same connections for each column. To read parallel pinouts, start at the left side of the diagram and then go row by row to the right until you've gone through them all.

**How do I enable my ATX power supply?** Bend the wire and close up the little green plug from the big ATX plug to any other BLACK plug. Cause the black is the ground. To come off best you should connect the green with black besides the green. Your PSU should power up immendiately!

**What are the connections on ATX power supply?** The two common ATX connectors are 20 and 24 pins. There are also 20-pin connectors with adjunct 4-pin connectors that can be mated together to function as a 24-pin connector. 24 pins is the newer standard. Chances are that if you have a PSU with a 24-pin connector you will not have a -5V rail.

**How to start a PSU?**

**Can I use only 4 pins to power an 8 pin motherboard?** If your CPU supports an 8-pin connector, but your motherboard only has a 4-pin socket, then you can use a 4-pin connector, but you may lose some performance or stability.

**What is the difference between ATX 12V power connector and ATX power connector?**

Motherboards using ATX12V 2. x use a 24-pin connector. ATX motherboards use a 20-pin connector. One situation where the pin count comes into play is when deciding if a particular power supply works with your system.

**What is the voltage of ATX 4 pin?** The ATX 4-pin power supply connector is a standard motherboard power connector used to provide +12 VDC to the processor voltage regulator.

**How do I know if my PSU is type 3 or 4?** The only difference between Type 3 and Type 4 cables is the pinout of the 24-pin ATX cable; all other cables (SATA, PCIe, etc) are the same.

**What is the voltage of ATX 24 pin?** Below is the complete pinout table for the standard ATX 24-pin 12V power supply connector as of Version 2.2 of the ATX Specification (PDF).

**Can I use 24 pin ATX on 20 pin motherboard?** If your PSU happens to have a solid 24-pin connector, you can still try to insert it into 20-pin slot with the last four pins hanging over the edge of the board's connector. Alternatively, you can buy a 24 to 20 pin adapter. To check compatibility of a specific model see Intel's database and selector of tested PSU.

**What wires turn on ATX power supply?** "Classic" ATX Power Supply To make these supplies work, you need to wire the green wire of the motherboard connector to one of the black wires so that it will turn on when you supply power. Alternatively, connect a switch between the green wire and a black wire, and this will be your main RepRap power switch.

**How to tell if PSU is bad?**

**How can you tell the difference between ATX and AT power supply?** AT-style computer cases had a power button that is directly connected to the system computer power supply. Pushing the power button kills all the power instantly (whether the Operating System is ready for it or not!) An ATX power supply is typically controlled by an electronic switch.

**What is the PS\_ON pin on ATX?** PS-ON Signal is a pin on a 20-pin or 24-pin ATX-specified power connector used to turn a personal computer power supply unit on/off. The PS\_ON pin is normally pulled high in an open-circuit, but will turn on the power supply when it is pulled low, by shorting it to the common signal (COM).

**Can a PC work with a 2 power supply?** Unless the power supplies are specifically designed to be connected that way (and “regular” PC power supplies are not), it's a very bad idea to try. If there is the slightest difference between the voltages of the two supplies, the higher will source current into the lower, possibly causing damage or overheating.

**What is the PG signal on a PSU?** The power good signal is a +5 volts signal that is generated by a switching power supply when the supply has stabilized its output voltages and passed all its internal self-tests. The is usually generated after s a period of between 0.1 seconds and 0.5 seconds after turning on the power supply.

**What are the connections on a power supply?**

**Do all ATX power supplies have the same connectors?** The two common ATX connectors are 20 and 24 pins. There are also 20-pin connectors with adjunct 4-pin connectors that can be mated together to function as a 24-pin connector. 24 pins is the newer standard. Chances are that if you have a PSU with a 24-pin connector you will not have a -5V rail.

**What are the 5 power supply connectors?**

**What is the 4 pin connector on the power supply?** A 4-pin CPU power connector is the standard connector for most CPUs. It has two yellow wires and two black wires, and it plugs into a 4-pin socket on the motherboard. A 4-pin connector can deliver up to 192 watts of power, which is enough for most CPUs.

**What is a 24 pin ATX power connector?** It is a connector that supplies electricity to a computer system's components. The 24-pin ATX-style connector supplies electricity to the motherboard and other parts of the computer system. As a component of their Advanced Technology Extended (ATX) motherboard specification, it was created by Intel in 1995.

**What is an ATX 12V power connector for?** The purpose of this new connector is to deliver more +12V current to the motherboard than is available from the standard ATX main power connector. The presence of the 4-pin +12V connector indicates that a power supply is ATX12V. The absence of that connector indicates that it is a standard ATX power supply.

**What are the 10 parts of power supply?**

**How to start an ATX power supply?** Bend the wire and close up the little green plug from the big ATX plug to any other BLACK plug. Cause the black is the ground. To come off best you should connect the green with black besides the green. Your PSU should power up immendiately!

**How to test an ATX power supply?**

**How to turn on ATX power supply without computer?**

**What are the six 6 parts of the power supply?** A modern electric power system has mainly six main components: 1) power plants which generate electric power, 2) transformers which raise or lower the voltages as needed, 3) transmission lines to carry power, 4) substations at which the voltage is stepped down for carrying power over the distribution lines, 5) ...

**What is the difference between ATX and Molex?** But the term “molex connector” is normally used by PC users for the 4-pin connector used to power optical drives and older HDD. SSD and newer HDD would instead use a SATA power connector. ATX connector is the normal name used for the very big power connector between ATX PSU and the motherboard.

**How do you identify a PSU connector to the motherboard?** 24/20+4 Motherboard/ATX This is the cable with the larger connector that your PSU includes. Older devices might need a 20-pin, but 24-pin is the norm nowadays. Usually, a 24-pin splits to 20+4 for compatibility reasons. This is the cable that your mainboard needs to be powered.

**Can I use only 4 pin in an 8 pin motherboard?** Will a 4 pin PSU work on a motherboard that has a 8 pin connection or will I need to buy a new PSU? Kind of. It may work, but it will likely throttle down the CPU due to power.

**What is a Molex KK connector?** The KK Connector System includes wire-to-board and board-to-board solutions that deliver design flexibility and reliable electrical connectivity. KK connectors are engineered for low-to-mid-power applications, while KK Plus connectors provide quality solutions for high-power needs.

**What voltage is molex?**

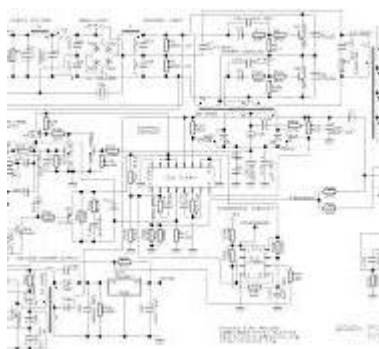


Figure 200W ATX PC POWER SUPPLY

**AT and ATX PC computer supplies schematics**, Schematics of ATX switching supplies with SG6105. These supplies use bipolar junction transistors (BJT) of NPN type. Schematic of ATX 250W with SG6105 · ATX M- ... danyk cz/s\_atx\_en.html



Figure ATX Power Supply Schematic | PDF | Power Supply ...

**ATX Power Supply Schematic | PDF**, This document describes the components and specifications of a 300W ATX power supply. It includes an inrush current limiter, power transformer, EMI filter, base ... scribd.com/doc/149464238/ATX-Power-Supply-Schematic

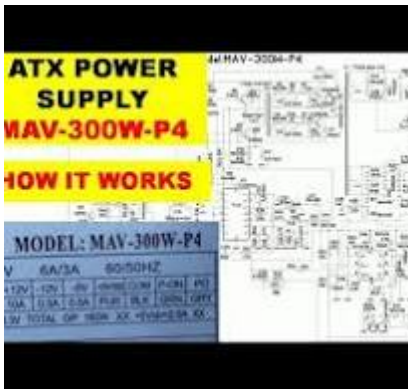


Figure {570} ATX Power Supply Circuit Diagram Explained Green Model 300W / TL494 / WT7510 ATX Supervisor

**A Maker's Guide to ATX Power Supplies : 6 Steps**, This is meant as a reference guide and so I've tried to avoid extensive explanations. ... use more than just the ATX connector to safely use the PSU's full power. [instructables.com/A-Makers-Guide-to-ATX-Power-Supplies/](http://instructables.com/A-Makers-Guide-to-ATX-Power-Supplies/)

**ATX Power Supply Schematic | PDF**, ATX Power Supply Schematic - Free download as PDF File (.pdf), Text File (.txt) or read online for free. INRUSH CURRENT LIMITER INPUT LINE SELECT (SHORT FOR ... [id scribd.com/doc/54576255/ATX-Power-Supply-Schematic](https://www.scribd.com/doc/54576255/ATX-Power-Supply-Schematic)

**Schematic Diagram of Computer Power Supply Unit ATX, AT ...**, Schematic Diagram of Computer Power Supply Unit ATX, AT, laptops. PSU Schematic Diagram, circuit diagram, Service manual. Wiring for ATX power supply connectors ... [gadget-manual.com/pc-power-supply/](http://gadget-manual.com/pc-power-supply/)

**M2-ATX Manual**, 1.1 M2-ATX Logic Diagram. Page 2. <http://mini-box.com>, Cool Embedded PCs. M2-ATX User Guide. Page 2. 1.2 M2-ATX Connection diagram. M2-ATX, top view. Power ... [resources-mini-box.com/online/PWR-M2-ATX/PWR-M2-ATX-manual-engl.pdf](http://resources-mini-box.com/online/PWR-M2-ATX/PWR-M2-ATX-manual-engl.pdf)

**ATX power supply**, Typical block diagram/structure of an ATX power supply. By Dhaval Dalal ... End-user requirements for higher functionality and higher power levels are ... [onsemi.com/site/pdf/BoostingPowerSupply.pdf](http://onsemi.com/site/pdf/BoostingPowerSupply.pdf)

**Are there different sizes of ATX power supplies & What Happens ... - Lenovo**, Read the users manual carefully and keep it for later use. The product could be share to third partie only with the user manual included. The BASIC series is a ... [lenovo.com/us/en/glossary/atx-style-connector-computer/#:~:text=Common ATX connectors on a,Molex connectors for legacy peripherals](http://lenovo.com/us/en/glossary/atx-style-connector-computer/#:~:text=Common ATX connectors on a,Molex connectors for legacy peripherals)

**turning on a power supply without a motherboard #shorts - YouTube**, 17 Jul 2011 — Hi, I need a Repair/Service Manual for ATX Power Supply . It will be more helpful if it is a diagram based on Made by China ATX Power supply ... [youtube.com/watch?v=SVcXzhLINQU](https://www.youtube.com/watch?v=SVcXzhLINQU)

**How To Turn On An ATX Power Supply Without A Motherboard**, [overclockersclub.com/guides/atx\\_psu\\_startup/#:~:text=The green wire on ATX,seven ground%2C or black wires](http://overclockersclub.com/guides/atx_psu_startup/#:~:text=The green wire on ATX,seven ground%2C or black wires)

**ATX - Wikipedia**, [en.wikipedia.org/wiki/ATX#:~:text=The ATX specification requires the,standby](http://en.wikipedia.org/wiki/ATX#:~:text=The ATX specification requires the,standby) supplies are also required

**ATX power supplies - user manual**, [akyga.com/app\\_products\\_attachments/promotions/symbol/AK-B1-450/name/ATX\\_PSU\\_Basic\\_manual.pdf](http://akyga.com/app_products_attachments/promotions/symbol/AK-B1-450/name/ATX_PSU_Basic_manual.pdf)

**Need ATX Power Supply Repair Manual**, [edaboard.com/threads/need-atx-power-supply-repair-manual-218905/](http://edaboard.com/threads/need-atx-power-supply-repair-manual-218905/)

**What is aircrack used for?** Aircrack-ng is the flagship tool of the Aircrack-ng suite, primarily used for cracking wireless networks encryption keys, such as WEP and WPA/WPA2.

**Does aircrack-ng still work?** Aircrack-ng is an excellent tool to use on wireless networks that use the WEP protection standard. The only problem is that WEP was deprecated in 2004. So there are some routines in Aircrack-ng that operate on the WPA network, only that standard isn't used anymore, and those utilities don't work anyway.

**Do you need a WiFi adapter for aircrack?** Setting up Hardware, Installing Aircrack-ng Many cards work with multiple drivers, some of which provide the necessary features for using aircrack-ng, and some of which do not. Needless to say, you need a wireless card which is compatible with the aircrack-ng suite.

**Can aircrack work on windows?** Windows. The Windows version of the Aircrack-ng suite does not have an install program. You must manually install (unzipping archive) the software.

**Does aircrack have a GUI?** Aircrack-gui is a python gui for aircrack-ng using gtk3.

**Is aircrack free?** Assess your Wi-Fi network security with these free tools Aircrack-ng allows you to assess the security of your Wi-Fi network with its suite of tools.

**What are the disadvantages of aircrack-ng?** One of the main drawbacks of aircrack-ng is that it requires a steep learning curve, as it is mostly based on command-line tools and has a complex syntax and options. It can also be difficult to install and configure, especially on non-Linux systems.

**Is aircrack-ng legit?** It's safe and legit if used properly, meaning your own system.

**Is aircrack open source?** Aircrack-ng is open source and has the following licenses: GPL v2 (Local copy)

**What is airodump used for?** airodump-ng is used for packet capturing of raw 802.11 frames for the intent of using them with aircrack-ng. If you have a GPS receiver connected to the computer, airodump-ng is capable of logging the coordinates of the found access points.

**Is aircrack-ng Open Source?** Aircrack-ng is open source and has the following licenses: GPL v2 (Local copy)

**How to connect WiFi without password or QR code?** Using The WPS WPS stands for Wi-Fi Protected Setup. Nowadays, all modern routers come with a WPS button. It is designed specially for a small environment or a home to connect to the Wi-Fi without a password. In short, it simplifies connecting to the Wi-Fi for Android/iOS devices.

**What is monitor mode in WiFi?** Unlike promiscuous mode, which is also used for packet sniffing, monitor mode allows packets to be captured without having to associate with an access point or ad hoc network first. Monitor mode only applies to wireless networks, while promiscuous mode can be used on both wired and wireless networks.

**Main documentation**, airmon-ng -- Enable and disable monitor mode on wireless interfaces. ... User Documentation by Platform (Linux, Windows) · Links, References and Other ... aircrack-ng org/documentation.html

**newbie\_guide [Aircrack-ng]**, This tutorial will give you the basics to get started using the aircrack-ng suite. It is impossible to provide every piece of information you need and cover ... aircrack-ng org/doku.php?id=newbie\_guide

**How to Use Aircrack-ng: A Guide to Network Compromise**, 11 Jul 2024 — Throughout this tutorial, we'll cover the essential tools, including airmon-ng, airodump-ng, airgraph-ng, aireplay-ng, aircrack-ng, and airbase- ... stationx net/how-to-use-aircrack-ng-tutorial/

**Tutorial: How to Crack WPA/WPA2**, 7 Mar 2010 — This tutorial walks you through cracking WPA/WPA2 networks which use pre-shared keys. I recommend you do some background reading to better ... aircrack-ng org/doku.php?id=cracking\_wpa

**Exploring Network Security with Aircrack-ng**, Aircrack-ng, short for “Air-crack New Generation,” is an open-source suite of network security tools designed to assess and audit the security ... medium.com/@kushalpokhrel/exploring-network-security-with-aircrack-ng-a-comprehensive-guide-6bdcc8e7efbc

**How to Use Aircrack-ng: A Guide to Network Compromise**, 8 Oct 2018 — Crack WEP OmniPeek, aircrack-ng - Tutorial pro kartu ipw3945. ComView Wifi, Aircrack-ng packet injection - Navod pro Windows XP. Jak na WEP crack ... stationx net/how-to-use-aircrack-ng-tutorial/#:~:text=Aircrack%2Dng is the flagship,as WEP and WPA%2FWPA2

**Aircrack-ng review including alternatives - Comparitech**, 16 Jan 2023 — more Downloads... and how to compile aircrack-ng, distro packages... Changelog. Airmon-ng: Fix avahi killing. Airmon-ng: rewrite service stopping ... comparitech com/net-admin/aircrack-ng-review/#:~:text=Aircrack%2Dng is an excellent,utilities don't work anyway

**newbie\_guide [Aircrack-ng]**, 9 Dec 2023 — This cheat sheet covers everything from basic commands to advanced Aircrack-ng features, ensuring you have a quick yet detailed reference at ... aircrack-ng org/doku php?id=newbie\_guide#:~:text=Setting up Hardware%2C Installing Aircrack%2Dng,-The first step&text=Many cards work with multiple,with the aircrack%2Dng suite

**install\_aircrack [Aircrack-ng]**, All in one - Everything useful about Aircrack-ng. Contribute to luchthienphong1120/Aircrack-ng-handbook development by creating an account on GitHub. aircrack-ng org/doku php?id=install\_aircrack#:~:text=install aircrack%2Dng%E2%80%9D-,Windows,(unzipping archive) the software

**Tutorials**, 29 Jan 2023 — We will be using the airmon-ng, airodump-ng, aireplay-ng, and Aircrack-ng tools from the Aircrack-ng suite. Let's look at their usage. Airmon-ng ... aircrack-ng org/doku php?id=tutorial

**Introduction**, aircrack-ng org/doku php

**Aircrack-ng: A Comprehensive Guide and Cheat Sheet**, denizhalil com/2023/12/09/aircrack-ng-comprehensive-guide/

**luchthienphong1120/Aircrack-ng-handbook: All in one**, github com/luchthienphong1120/Aircrack-ng-handbook

**How to use Aircrack-ng | Aircrack-ng tutorial [Practical ...]**, techofide com/blogs/how-to-use-aircrack-ng-aircrack-ng-tutorial-practical-demonstration/

## **How do I use CarPlay on MyPeugeot?**

**Does PEUGEOT have wireless Apple CarPlay?** Peugeot supports CarPlay with the Wireless Apple Carplay feature. You will need to purchase a wireless device called Cruise Box which you can find on Amazon. Then you plug in your smartphone and computer it to the Cruise box using USB cables, then pair up Bluetooth once installed correctly.

**Why is Apple CarPlay not working on Peugeot 208?** Go to Settings > Screen Time > Content & Privacy Restrictions on your iPhone, tap Allowed Apps and make sure CarPlay is enabled. Also, go to Settings > General > CarPlay and tap your car from the list of available connections. Then toggle on Allow CarPlay While Locked. Also, check the Siri settings on your iPhone.

**What navigation app is compatible with PEUGEOT?** PEUGEOT connected services and the MyPeugeot app give you peace of mind.

## **How do I activate my CarPlay?**

**How do I operate CarPlay?** Make sure your stereo is in wireless or Bluetooth mode. Then on your iPhone, go to Settings > Wi-Fi and make sure Wi-Fi is also turned on. Tap the CarPlay network, and check that Auto-Join is turned on. Then go to Settings > General > CarPlay and select your car.

**How do I know if my CarPlay is wireless?** If your car supports CarPlay both wirelessly and with a USB cable, plug your iPhone into the USB port in your car. An alert on your iPhone will offer to connect you wirelessly on your next drives. If your car supports only wireless CarPlay, press and hold the voice command button on your steering wheel.

**Why is my Apple CarPlay not connecting?** If your iPhone isn't detected by CarPlay, make sure that CarPlay isn't restricted. Go to Settings > Screen Time > Content & Privacy Restrictions. If Content & Privacy Restrictions is on, tap Allowed Apps, and make sure that CarPlay is enabled. Go to Settings > General > CarPlay, tap your car, then tap Forget This Car.

**Can I connect Apple CarPlay wirelessly?**

**Do all Peugeot 208 have CarPlay?** Android Auto and Apple CarPlay are available on the following models, either as a standard feature or optional feature; 208. e-208. 308, 308 SW.

**Can I update my Peugeot software?** Access updates via MyPEUGEOT Within your MYPEUGEOT app select the vehicle icon followed by 'Vehicle Touchscreen'. If there is an update available for either your navigation map or touchscreen software, you will see a notification here.

**Why is my Apple CarPlay not working but my phone is charging?** If your phone is charging, but Apple CarPlay isn't working, you might have restrictions enabled that are blocking CarPlay. To make sure that your content and privacy restrictions aren't blocking CarPlay: Open the Settings app and tap Screen Time.

**How do I set up CarPlay on my Citroen?**

**How do I activate Volkswagen CarPlay?**

**How do I use CarPlay to find my car?** You need to turn on Bluetooth and use Maps on an iPhone 6 or later with iOS 10 or later to use Show Parked Location. Maps drops a parked car marker when you disconnect your iPhone from your car's Bluetooth or CarPlay system and exit your vehicle.

**How do I use CarPlay on Uconnect?** If your Uconnect® system includes Apple CarPlay®(Disclosure8) support, you do not need to take any special steps to access CarPlay; simply connect your smartphone and your Uconnect system will do the rest. How do I set up Android Auto 7 compatibility in my Jeep® Brand vehicle?



Figure

**PEUGEOT 208 HANDBOOK**, In this document, you will find all of the instructions and recommendations on the use that will allow you to enjoy your vehicle to the fullest. [public.servicebox.peugeot.com/APddb/modeles/208/eGuide\\_208\\_208\\_ed01-17/pdfs/9999\\_9999\\_035\\_en-GB.pdf](https://public.servicebox.peugeot.com/APddb/modeles/208/eGuide_208_208_ed01-17/pdfs/9999_9999_035_en-GB.pdf)



Figure

**PEUGEOT 308 / 308 SW / 408 | Tutorial | Mirroring Apple CarPlay**, In this document you will find all of the instructions and recommendations on use that will allow you to enjoy your vehicle to the fullest. [youtube.com/watch?v=j1agH2PpwCA](https://www.youtube.com/watch?v=j1agH2PpwCA)





Figure

**CARPLAY - Apple Community**, Page 1. INSTRUCTION. MANUAL. 27-870. CARPLAY/ANDROID AUTO INTEGRATION FOR. PEUGEOT NAC SYSTEM. Page 2. 2. CONTENT. Compatibility ...

discussions apple com/thread/254642319#:~:text=Peugeot supports CarPlay with the,up Bluetooth once installed correctly

**My Apple CarPlay isn't working – what do I do? - Drive**, 29 Sept 2021 — Apple CarPlay is a fantastic feature that allows you to connect your Peugeot to iPhones and use the car display screen like a phone. First, you ... drive com/au/caradvice/apple-carplay-not-working-what-do-i-do/#:~:text=Go to Settings %3E Screen Time,Siri settings on your iPhone

**MYPEUGEOT APP - Peugeot UK**, PEUGEOT 308 / 308 SW / 408 | Tutorial | Mirroring Apple CarPlay ... PEUGEOT 308 / 308 SW / 408 | Tutorial | User guide. Peugeot · 1:50 ... peugeot co uk/buy/mypeugeot-app.html#:~:text=PEUGEOT connected services and the MyPeugeot app give you peace of mind

**How to Connect and Use Apple CarPlay® - YouTube**, Product Manual For Peugeot DS6. iSmart auto Wireless CarPlay & Android Auto ... CarPlay connection is successful, you can use wireless CarPlay. CarPlay. youtube com/watch?v=sDB-JT9NGgo

**Use CarPlay with your iPhone – Apple Support (UK)**, Activate and enter settings for sharing the smartphone connection. Restrictions of use: - With CarPlay ®, connection sharing is only with a Wi-Fi connection. - ... support apple com/en-gb/108415#:~:text=Make sure your stereo is,CarPlay and select your car

**Connecting Apple CarPlay & Android Auto in Any Peugeot ...**, youtube com/watch?v=rQAhUR9NSJc

**PEUGEOT 3008 HANDBOOK**, public servicebox peugeot com/APddb/modeles/3008/eGuide\_3008\_p84\_ed01-17/pdfs/9999\_9999\_186\_en-GB pdf

**INSTRUCTION MANUAL**, incartec blob core windows net/media/27-870\_add\_carplay\_android\_auto\_to\_Citroen\_Peugeot\_NAC\_high\_low pdf

**How to connect Apple CarPlay to Peugeot 408 Multimedia ...**, youtube com/watch?v=vMSnqnv4AbE

**Peugeot Bluetooth, Android Auto & Apple CarPlay**, sherwoodsmotorgroup co uk/news/peugeot-bluetooth-android-auto-apple-carplay-setup-features/

**How To Use Apple CarPlay with your Peugeot**, youtube com/watch?v=U4IEwbE6gC0

**PEUGEOT 408 | TUTORIALS**, youtube com/playlist?list=PLQEJPn-PoRCWrg0tlMpVdJ9U-zecSyYKH

**Manual For Peugeot DS6**, sigmacarstereo com/docs/carplay/manual-for-peugeot-ds6 pdf

**Peugeot 3008 GPS Handbook**, autoeurope com/peugeotfleet/documents/gps-3008 pdf

**Download Acer Support Drivers and Manuals**, Download Acer support drivers by identifying your device first by entering your device serial number, SNID, or model number. acer com/us-en/support/drivers-and-manuals

**Download User's Manual for your Acer Product**, Aug 19, 2020 — All documentation for your Acer product is posted on the Acer Support website for you to easily locate and download. community acer com/en/kb/articles/146-download-users-manual-for-your-acer-product

**Acer Motherboard User Manuals Download**, ManualsLib has more than 64 Acer Motherboard manuals. Click on an alphabet below to see the full list of models starting with that letter. manualslib

com/brand/acer/motherboard.html

**USER'S MANUAL**, This guide contains detailed information on such subjects as system utilities, data recovery, expansion options and troubleshooting. Once you have connected to ... global-download acer com/GDFiles/Document/User Manual/User Manual\_Acer\_1\_0\_A\_A pdf?acerid=637158763326517204

**Acer Motherboards user manuals download**, The list of Acer Motherboards products contains 49 user manuals for 47 models. All pdf user's guides are available for download or viewing online. acer manymanuals com/motherboards

**Motherboard manual for Acer Aspire 450E desktop**, Jan 16, 2010 — Does anyone know where I can find a motherboard manual for an ACER AMD DUAL CORE AM1201 4050E DESKTOP. The Motherboard is

an Acer RS740DVF. [techguy.org/threads/motherboard-manual-for-acer-aspire-450e-desktop](http://techguy.org/threads/motherboard-manual-for-acer-aspire-450e-desktop) 894680/

**Download Acer Support Drivers and Manuals | Predator**, Download Acer support drivers by identifying your device first by entering your device serial number, SNID, or model number. [acer.com/gb-en/predator/support/drivers-manuals/drivers-and-manuals](http://acer.com/gb-en/predator/support/drivers-manuals/drivers-and-manuals)

**AOpen / Acer VI15G Motherboard Manual?**, Jun 30, 2020 — I have an Aopen / Acer VI15G. I've looked extensively for an actual PDF or images of the motherboard manual, but I cannot find anything.<http://vogons.org/viewtopic.php?t=75041>

**Is there a motherboard manual for the Acer aspire XC1760 ...**, Jan 2, 2023 — I'm trying to find out the model of the motherboard for the Aspire XC1760 desktop pc I've just bought. [community.acer.com/en/discussion/677024/is-there-a-motherboard-manual-for-the-acer-aspire-xc1760-desktop-pc](http://community.acer.com/en/discussion/677024/is-there-a-motherboard-manual-for-the-acer-aspire-xc1760-desktop-pc)

**Free Acer Laptop User Manuals | ManualsOnline.com**, Office Manuals and free pdf instructions. Find the office and computer equipment manual you need at ManualsOnline.[http://office.manualsonline.com/manuals/mfg/acer/acer\\_laptop\\_product\\_list.html](http://office.manualsonline.com/manuals/mfg/acer/acer_laptop_product_list.html)